



Phone (800) 981-1540 | Fax (715) 254-0996  
 sales@kimobility.com | www.kimobility.com



Company:

Account Number:  Date:

Quote:  PO Number:

ATP:

Marked For:

Associated Quote/Order#:

Ship To:

Address:

City:  State:

Zip:  Phone:

Email/Fax:



Effective: 1/10/2024

Focus CR - Transit Included (E1161) \_\_\_\_\_ \$3731

Focus CR - Transit Not Included (E1161) \_\_\_\_\_ \$3385

300 lb weight capacity Tilt range: -5° anterior to 50° posterior

## Frame

### Frame Width

Select Frame Width within desired Frame Width Range

Frame Width Range	Frame Width				
<input type="checkbox"/> Small (14" - 18")	<input type="checkbox"/> 14" N/C	<input type="checkbox"/> 15" N/C	<input type="checkbox"/> 16" N/C	<input type="checkbox"/> 17" N/C	<input type="checkbox"/> 18" N/C
<input type="checkbox"/> Medium (16" - 20")	<input type="checkbox"/> 16" N/C	<input type="checkbox"/> 17" N/C	<input type="checkbox"/> 18" N/C	<input type="checkbox"/> 19" N/C	<input type="checkbox"/> 20" (E2201) \$533
<input type="checkbox"/> Large (18" - 22")	<input type="checkbox"/> 18" N/C	<input type="checkbox"/> 19" N/C	<input type="checkbox"/> 20" (E2201) \$533	<input type="checkbox"/> 21" (E2201) \$533	<input type="checkbox"/> 22" (E2201) \$533
<input type="checkbox"/> X-Large (20" - 24") <sup>1</sup>	<input type="checkbox"/> 20" (E2201) \$533	<input type="checkbox"/> 21" (E2201) \$533	<input type="checkbox"/> 22" (E2201) \$533	<input type="checkbox"/> 23" (E2201) \$743	<input type="checkbox"/> 24" (E2202) \$743

<sup>1</sup> 400 lb Weight Capacity is required

### Seating Setup

Make one selection from either Option 1 at right or Option 2 below based on desired seating setup

Setup By Ki Mobility (Option 1) \_\_\_\_\_ N/C  
 Select Seat Depth corresponding to desired Frame Depth Range row and Backrest Offset column. Note: All Seat Depths in a column and within the same frame depth range are achievable with future adjustment.

Setup by Frame Depth (Option 2) \_\_\_\_\_ N/C  
 Select Frame Depth within desired Frame Depth Range

### Option 2: Setup By Frame Depth

Frame Depth Range	Frame Depth				
<input type="checkbox"/> Short	<input type="checkbox"/> 14" N/C	<input type="checkbox"/> 15" N/C	<input type="checkbox"/> 16" N/C	<input type="checkbox"/> 17" N/C	<input type="checkbox"/> 18" N/C
<input type="checkbox"/> Medium	<input type="checkbox"/> 16" N/C	<input type="checkbox"/> 17" N/C	<input type="checkbox"/> 18" N/C	<input type="checkbox"/> 19" N/C	<input type="checkbox"/> 20" (E2203) \$630
<input type="checkbox"/> Long	<input type="checkbox"/> 18" N/C	<input type="checkbox"/> 19" N/C	<input type="checkbox"/> 20" (E2203) \$630	<input type="checkbox"/> 21" (E2203) \$630	<input type="checkbox"/> 22" (E2204) \$1056

### Seat Options

Growing Adjustable Aluminum Seat Pan \_\_\_\_\_ \$231

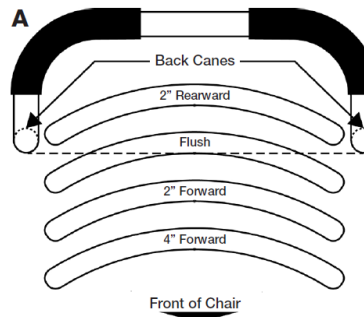
Omit Seat Pan \_\_\_\_\_ N/C

### Option 1: Setup By Ki Mobility

Frame Depth Range	Backrest Offset A						
	<input type="checkbox"/> -2"	<input type="checkbox"/> -1"	<input type="checkbox"/> Flush	<input type="checkbox"/> +1"	<input type="checkbox"/> +2"	<input type="checkbox"/> +3"	<input type="checkbox"/> +4"
<input type="checkbox"/> Short	Seat Depth						
	<input type="checkbox"/> 16"	<input type="checkbox"/> 15"	<input type="checkbox"/> 14"				
	<input type="checkbox"/> 17"	<input type="checkbox"/> 16"	<input type="checkbox"/> 15"	<input type="checkbox"/> 14"			
	<input type="checkbox"/> 18"	<input type="checkbox"/> 17"	<input type="checkbox"/> 16"	<input type="checkbox"/> 15"	<input type="checkbox"/> 14"		
	<input type="checkbox"/> 19"	<input type="checkbox"/> 18"	<input type="checkbox"/> 17"	<input type="checkbox"/> 16"	<input type="checkbox"/> 15"	<input type="checkbox"/> 14"	
<input type="checkbox"/> Medium	<input type="checkbox"/> 20" <sup>1</sup>	<input type="checkbox"/> 19"	<input type="checkbox"/> 18"	<input type="checkbox"/> 17"	<input type="checkbox"/> 16"	<input type="checkbox"/> 15"	<input type="checkbox"/> 14"
	<input type="checkbox"/> 21" <sup>1</sup>	<input type="checkbox"/> 20" <sup>1</sup>	<input type="checkbox"/> 19"	<input type="checkbox"/> 18"	<input type="checkbox"/> 17"	<input type="checkbox"/> 16"	<input type="checkbox"/> 15"
	<input type="checkbox"/> 22" <sup>2</sup>	<input type="checkbox"/> 21" <sup>1</sup>	<input type="checkbox"/> 20" <sup>1</sup>	<input type="checkbox"/> 19"	<input type="checkbox"/> 18"	<input type="checkbox"/> 17"	<input type="checkbox"/> 16"
	<input type="checkbox"/> 20" <sup>1</sup>	<input type="checkbox"/> 19"	<input type="checkbox"/> 18"	<input type="checkbox"/> 17"	<input type="checkbox"/> 16"	<input type="checkbox"/> 15"	<input type="checkbox"/> 14"
	<input type="checkbox"/> 21" <sup>1</sup>	<input type="checkbox"/> 20" <sup>1</sup>	<input type="checkbox"/> 19"	<input type="checkbox"/> 18"	<input type="checkbox"/> 17"	<input type="checkbox"/> 16"	<input type="checkbox"/> 15"
<input type="checkbox"/> Long	<input type="checkbox"/> 22" <sup>2</sup>	<input type="checkbox"/> 21" <sup>1</sup>	<input type="checkbox"/> 20" <sup>1</sup>	<input type="checkbox"/> 19"	<input type="checkbox"/> 18"	<input type="checkbox"/> 17"	<input type="checkbox"/> 16"
		<input type="checkbox"/> 22" <sup>2</sup>	<input type="checkbox"/> 21" <sup>1</sup>	<input type="checkbox"/> 20" <sup>1</sup>	<input type="checkbox"/> 19"	<input type="checkbox"/> 18"	<input type="checkbox"/> 17"
			<input type="checkbox"/> 22" <sup>2</sup>	<input type="checkbox"/> 21" <sup>1</sup>	<input type="checkbox"/> 20" <sup>1</sup>	<input type="checkbox"/> 19"	<input type="checkbox"/> 18"
				<input type="checkbox"/> 22" <sup>2</sup>	<input type="checkbox"/> 21" <sup>1</sup>	<input type="checkbox"/> 20" <sup>1</sup>	<input type="checkbox"/> 19"

<sup>1</sup> Price is \$630 E2203

<sup>2</sup> Price is \$1056 E2204



HCPCS codes provided are based on code verification by the PDAC or our interpretation of the code definitions.

Proper use of HCPCS codes does not ensure coverage or payment. For coverage information, verify the appropriate payer's coverage policy.

DCN0031.41 Pricing and specifications subject to change without notice.



Phone (800) 981-1540 | Fax (715) 254-0996  
 sales@kimobility.com | www.kimobility.com



## Frame Options

Weight Capacity	Offset Option
<input type="checkbox"/> 300 lbs N/C	<input type="checkbox"/> Offset Hanger with Tilt Stops \$36
<input type="checkbox"/> 400 lbs (Heavy Duty) \$451	<i>Tilt Stop included. No anterior tilt.</i>
<i>Available only with Long Frame Depth Range and 8" x 2" or 6" x 2" Casters</i>	
Transit	Vent and Battery Tray
<input type="checkbox"/> Transit System \$343	<i>Requires minimum 16" Seat Height. Not available on 14" or 15" Frame Widths, Attendant Foot Lock, 12" wheels, One Arm Drive, 5" casters</i>
<input type="checkbox"/> Omit Transit N/C	<input type="checkbox"/> Vent Tray (E1029) \$282
	<i>Not available with Self Propel Axle Plate or Foot Tilt. Requires Anti-Tip.</i>
	<input type="checkbox"/> Battery Box Holder (E1029) \$282
	<i>Available only with Dual Hand Tilt</i>
	<input type="checkbox"/> Vent Tray and Battery Box Holder (E1029) \$564
	<i>Requires Anti-Tip. Available only with Dual Hand Tilt. Not available with Self Propel Axle Plate.</i>

## Tilt Mechanism

Tilt Mechanism	Power Tilt Options
<i>Power Tilt not available with Vent Tray, Battery Box Holder, or 400 lb Weight Capacity. Power Tilt includes Anterior and Posterior Tilt Stops.</i>	<i>Power Tilt selection required</i>
<input type="checkbox"/> Hand Tilt - Right N/C	<input type="checkbox"/> Toggle Switch N/C
<input type="checkbox"/> Hand Tilt - Left N/C	<input type="checkbox"/> Pendant Control N/C
<input type="checkbox"/> Hand Tilt - Dual N/C	<i>Sent as accessory</i>
<input type="checkbox"/> Foot Tilt - Right N/C	<input type="checkbox"/> Interface for Adaptive Switching \$282
<input type="checkbox"/> Foot Tilt - Left N/C	<i>Sent as accessory</i>
<input type="checkbox"/> Power Tilt - Right (E1002) \$2250	
<input type="checkbox"/> Power Tilt - Left (E1002) \$2250	

## Backrest

Backrest	Stroller Handle Extensions
<input type="checkbox"/> Stroller Handle Back Post (Short 20") N/C	<i>Available only with Stroller Handle Back Post</i>
<input type="checkbox"/> Stroller Handle Back Post (Tall 24") N/C	<input type="checkbox"/> Removable Stroller Handle Extension \$97
<input type="checkbox"/> Fixed Height Back with Adjustable Handle (Short 22") N/C	
<i>Not available with Dynamic Back</i>	
<input type="checkbox"/> Fixed Height Back with Adjustable Handle (Tall 26") N/C	
<i>Not available with Dynamic Back</i>	
<input type="checkbox"/> Adjustable Height Back with Adjustable Handle (Short 18" - 25") N/C	
<i>Not available with O2 Holder or Dynamic Back</i>	
<input type="checkbox"/> Adjustable Height Back with Adjustable Handle (Tall 20" - 27") N/C	
<i>20"-22" Heights not available with Dynamic Back</i>	
<input type="checkbox"/> Reclining Back with Adjustable Handle (Short 22") (Non-Folding) \$1025	
<i>Not available with O2 Holder or Dynamic Back. If no Recline Angle and Gas Spring selections are made, 0° - 65° and Standard Spring will be used.</i>	
<input type="checkbox"/> Reclining Back with Adjustable Handle (Tall 26") (Non-Folding) \$1025	
<i>Not available with O2 Holder or Dynamic Back. If no Recline Angle and Gas Spring selections are made, 0° - 65° and Standard Spring will be used.</i>	
Backrest Height	Other Backrest Options
<i>Required when Adjustable Height Back with Adjustable Handle Back Post is selected</i>	<input type="checkbox"/> Non Folding Back N/C
<input type="checkbox"/> 18" <sup>1</sup> <input type="checkbox"/> 19" <sup>1</sup> <input type="checkbox"/> 20" <input type="checkbox"/> 21" <input type="checkbox"/> 22" <input type="checkbox"/> 23" <input type="checkbox"/> 24" <input type="checkbox"/> 25" <input type="checkbox"/> 26" <sup>2</sup>	<i>Standard with Reclining Back and Dynamic Back</i>
<input type="checkbox"/> 27" <sup>2</sup> N/C	<input type="checkbox"/> Dynamic Back (E2398) \$2045
<i>1 Available only with Short</i>	<i>Available only with Non Folding Back. Not available with Angle Adjustable Locking Extendable Flip Up Armrest or 400 lb Weight Capacity.</i>
<i>2 Available only with Tall</i>	<input type="checkbox"/> Adjustable Height Rigidizer Bar \$82
	<i>Not available with 23" or 24" frame widths</i>
	Reclining Back Options
	<i>Required when Reclining Back is selected</i>
	Recline Angle
	<input type="checkbox"/> 0-65° Recline Angle (E1225) N/C
	<input type="checkbox"/> 10-75° Recline Angle (E1225) N/C
	<input type="checkbox"/> 20-85° Recline Angle (E1226) N/C
	Gas Spring
	<input type="checkbox"/> Standard Spring N/C
	<input type="checkbox"/> Heavy Duty Spring N/C

## Footrest

### Hanger / Front Frame Bend

Hanger	60°	70°	80°	90°	Retail
Extension Tube Mount	<input type="checkbox"/>	<input type="checkbox"/>	<input type="checkbox"/> <sup>1</sup>		N/C
Front Mount		<input type="checkbox"/>	<input type="checkbox"/> <sup>1</sup>	<input type="checkbox"/> <sup>2</sup>	N/C
Pro Elevating Leg Rests E0990				<input type="checkbox"/>	\$318
Contracture Footrest Bilateral Mount <sup>3</sup>				<input type="checkbox"/>	\$382
Contracture Footrest Center Mount <sup>3</sup>				<input type="checkbox"/>	\$382
Omit Hangers				<input type="checkbox"/>	(\$20)

<sup>1</sup> 7" and 8" Casters may interfere with less than 5° tilt  
<sup>2</sup> Not available with 7" or 8" Casters  
<sup>3</sup> Aluminum Angle Adjustable footplates included. See image to right.

### PRO ELR Cover

Available only on PRO ELR

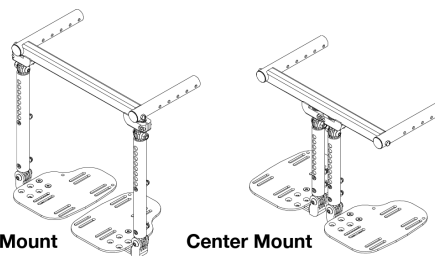
Gel Pad Covers (PAIR) (K0108) \_\_\_\_\_ \$425

### 3" Extension

Available only with Front Mount Hangers.

3" Extension \_\_\_\_\_ N/C

3" Extension (Provided as Parts) \_\_\_\_\_ N/C



Bilateral Mount

Center Mount

### Footrest / Extension / Seat to Footrest Length

Select Extension and Seat to Footrest Length in row corresponding to desired Footrest. Footrest Length of at least 2.5" shorter than Front Seat Height recommended. Extension Tube Hanger measurements based on 70° Hanger Bend.

Footrest	Extension	Seat to Footrest Length													
Extension Tube Hangers (60°, 70°, 80°)	<input type="checkbox"/> Short (10" - 13.5")	<input type="checkbox"/> 10"	<input type="checkbox"/> 10.5"	<input type="checkbox"/> 11"	<input type="checkbox"/> 11.5"	<input type="checkbox"/> 12"	<input type="checkbox"/> 12.5"	<input type="checkbox"/> 13"	<input type="checkbox"/> 13.5"						
	<input type="checkbox"/> Medium (11.5" - 15.5")	<input type="checkbox"/> 11.5"	<input type="checkbox"/> 12"	<input type="checkbox"/> 12.5"	<input type="checkbox"/> 13"	<input type="checkbox"/> 13.5"	<input type="checkbox"/> 14"	<input type="checkbox"/> 14.5"	<input type="checkbox"/> 15"	<input type="checkbox"/> 15.5"					
	<input type="checkbox"/> Long (14" - 18")	<input type="checkbox"/> 14"	<input type="checkbox"/> 14.5"	<input type="checkbox"/> 15"	<input type="checkbox"/> 15.5"	<input type="checkbox"/> 16"	<input type="checkbox"/> 16.5"	<input type="checkbox"/> 17"	<input type="checkbox"/> 17.5"	<input type="checkbox"/> 18"					
Front Mount Hangers <sup>1</sup>		Standard Selections										Requires 3" Extension for \$35			
	<input type="checkbox"/> Short Front Mount Hanger	<input type="checkbox"/> 4" <sup>2</sup>	<input type="checkbox"/> 4.5" <sup>2</sup>	<input type="checkbox"/> 5"	<input type="checkbox"/> 5.5"	<input type="checkbox"/> 6"							<input type="checkbox"/> 8.5"	<input type="checkbox"/> 9"	<input type="checkbox"/> 9.5"
		<input type="checkbox"/> 6.5"	<input type="checkbox"/> 7"	<input type="checkbox"/> 7.5"	<input type="checkbox"/> 8"								<input type="checkbox"/> 10"	<input type="checkbox"/> 10.5"	<input type="checkbox"/> 11"
	<input type="checkbox"/> Medium Front Mount Hanger	<input type="checkbox"/> 4" <sup>2</sup>	<input type="checkbox"/> 4.5" <sup>2</sup>	<input type="checkbox"/> 5"	<input type="checkbox"/> 5.5"	<input type="checkbox"/> 6"	<input type="checkbox"/> 6.5"	<input type="checkbox"/> 7"					<input type="checkbox"/> 10.5"	<input type="checkbox"/> 11"	<input type="checkbox"/> 11.5"
		<input type="checkbox"/> 7.5"	<input type="checkbox"/> 8"	<input type="checkbox"/> 8.5"	<input type="checkbox"/> 9"	<input type="checkbox"/> 9.5"	<input type="checkbox"/> 10"						<input type="checkbox"/> 12"	<input type="checkbox"/> 12.5"	<input type="checkbox"/> 13"
<input type="checkbox"/> Long Front Mount Hanger	<input type="checkbox"/> 5"	<input type="checkbox"/> 5.5"	<input type="checkbox"/> 6"	<input type="checkbox"/> 6.5"	<input type="checkbox"/> 7"	<input type="checkbox"/> 7.5"	<input type="checkbox"/> 8"	<input type="checkbox"/> 8.5"				<input type="checkbox"/> 12.5"	<input type="checkbox"/> 13"	<input type="checkbox"/> 13.5"	
	<input type="checkbox"/> 9"	<input type="checkbox"/> 9.5"	<input type="checkbox"/> 10"	<input type="checkbox"/> 10.5"	<input type="checkbox"/> 11"	<input type="checkbox"/> 11.5"	<input type="checkbox"/> 12"					<input type="checkbox"/> 14"	<input type="checkbox"/> 14.5"	<input type="checkbox"/> 15"	
Contracture Footrest	<input type="checkbox"/> Short (10" - 13.5")	<input type="checkbox"/> 10.5"	<input type="checkbox"/> 11"	<input type="checkbox"/> 11.5"	<input type="checkbox"/> 12"	<input type="checkbox"/> 12.5"	<input type="checkbox"/> 13"	<input type="checkbox"/> 13.5"	<input type="checkbox"/> 14"	<input type="checkbox"/> 14.5"					
	<input type="checkbox"/> Medium (11.5" - 15.5")	<input type="checkbox"/> 13.5"	<input type="checkbox"/> 14"	<input type="checkbox"/> 14.5"	<input type="checkbox"/> 15"	<input type="checkbox"/> 15.5"	<input type="checkbox"/> 16"	<input type="checkbox"/> 16.5"	<input type="checkbox"/> 17"	<input type="checkbox"/> 17.5"					
	<input type="checkbox"/> Long (14" - 18")	<input type="checkbox"/> 16.5"	<input type="checkbox"/> 17"	<input type="checkbox"/> 17.5"	<input type="checkbox"/> 18"	<input type="checkbox"/> 18.5"	<input type="checkbox"/> 19"	<input type="checkbox"/> 19.5"	<input type="checkbox"/> 20"	<input type="checkbox"/> 20.5"					
PRO ELR Low Pivot Setting	<input type="checkbox"/> PRO ELR Low Pivot Setting Short (10.5" - 15.5")	10.5" - 15.5"													
	<input type="checkbox"/> PRO ELR Low Pivot Setting Long (13" - 19")	13" - 19"													
PRO ELR High Pivot Setting	<input type="checkbox"/> PRO ELR High Pivot Setting Short (8.5" - 17")	8.5" - 17"													
	<input type="checkbox"/> PRO ELR High Pivot Setting Long (11.5" - 17.5")	11.5" - 17.5"													

<sup>1</sup> See Minimum Front Seat Height chart below

<sup>2</sup> Available with 90° only

Hanger Length	Short		Medium		Long	
	70°	80/90°	70°	80/90°	70°	80°
Minimum Front Seat Height with Standard Selection	13"	13"	13"	13.5"	14.5"	15.5"
Minimum Front Seat Height with 3" Extension	13.5"	14"	15.5"	16"	17"	18"



Phone (800) 981-1540 | Fax (715) 254-0996  
 sales@kimobility.com | www.kimobility.com



### Footplates

*No selection needed with Contracture Footrest*

- Composite \_\_\_\_\_ N/C  
*Not available with Front Mount Hanger*
- Composite Angle Adjustable (K0040) \_\_\_\_\_ \$195  
*Not available with Front Mount Hanger or 14" Seat Width without Offset Hanger*
- Aluminum Angle Adjustable (K0040) \_\_\_\_\_ \$210
- Aluminum Locking Multi-Angle Adjustable (K0108) \_\_\_\_\_ \$318  
*Available only with Front Mount Hanger*
- One Piece Flip Up Angle Adjustable (K0040) \_\_\_\_\_ \$205  
*Not available with Front Mount Hanger or PRO ELR*

### Hanger Release

*No selection needed with Contracture Footrest. If no selection is made 4-Way - In line Hanger Release will be used.*

- Classic \_\_\_\_\_ N/C
- 4-Way - In-Line \_\_\_\_\_ N/C
- 4-Way - Out \_\_\_\_\_ N/C

### Heel Loops

*Not available with One Piece Flip Up Angle Adjustable Footplate*

- Heel Loops (E0951) \_\_\_\_\_ \$46
- Adjustable Heel Loops (E0951) \_\_\_\_\_ \$56
- Omit Heel Loops \_\_\_\_\_ N/C

### Calf Straps

- Velcro Adjustable (K0038) \_\_\_\_\_ \$41
- Padded Velcro Adjustable (K0038) \_\_\_\_\_ \$72
- Bodypoint Padded AeroMesh (K0038) \_\_\_\_\_ \$128

### Residual Limb Support

	Limb Support	Price	Omit	Cover		Pad Size					
Left	<input type="checkbox"/> Left Limb Support (E1020)	\$431	<input type="checkbox"/> Omit Left Hanger	<input type="checkbox"/> Smooth Cover Left	<input type="checkbox"/> Air Mesh Cover Left	<input type="checkbox"/> 5X8 Pad Left Side	<input type="checkbox"/> 7X10 Pad Left Side	<input type="checkbox"/> 9x10 Pad Left Side	<input type="checkbox"/> 9x14 Pad Left Side	<input type="checkbox"/> 11x10 Pad Left Side	<input type="checkbox"/> 11x14 Pad Left Side
Right	<input type="checkbox"/> Right Limb Support (E1020)	\$431	<input type="checkbox"/> Omit Right Hanger	<input type="checkbox"/> Smooth Cover Right	<input type="checkbox"/> Air Mesh Cover Right	<input type="checkbox"/> 5X8 Pad Right Side	<input type="checkbox"/> 7X10 Pad Right Side	<input type="checkbox"/> 9x10 Pad Right Side	<input type="checkbox"/> 9x14 Pad Right Side	<input type="checkbox"/> 11x10 Pad Right Side	<input type="checkbox"/> 11x14 Pad Right Side

## Seat Height, Casters and Rear Wheels

Select Seat Height corresponding to desired Rear Wheel and Caster Size

Rear Wheel Size	Caster Size						
	5"	6"	6" x 2"	7"	8"	8" x 2"	
12" with Pneumatic or Pneumatic with Airless Insert Tire <sup>3</sup>	Seat Height						
	<input type="checkbox"/> 13.5"						
	<input type="checkbox"/> 14"						
	<input type="checkbox"/> 14.5"	<input type="checkbox"/> 14.5"	<input type="checkbox"/> 14.5"			<input type="checkbox"/> 17"	
	<input type="checkbox"/> 17.5"	<input type="checkbox"/> 17.5"	<input type="checkbox"/> 17.5"	<input type="checkbox"/> 17.5"	<input type="checkbox"/> 17.5"	<input type="checkbox"/> 17.5"	
	<input type="checkbox"/> 18"	<input type="checkbox"/> 18"	<input type="checkbox"/> 18"	<input type="checkbox"/> 18"	<input type="checkbox"/> 18"	<input type="checkbox"/> 18"	
	<input type="checkbox"/> 18.5"	<input type="checkbox"/> 18.5"	<input type="checkbox"/> 18.5"	<input type="checkbox"/> 18.5"	<input type="checkbox"/> 18.5"	<input type="checkbox"/> 18.5"	
	<input type="checkbox"/> 19"	<input type="checkbox"/> 19"	<input type="checkbox"/> 19"	<input type="checkbox"/> 19"	<input type="checkbox"/> 19"	<input type="checkbox"/> 19"	
12" with Full Poly Tire <sup>3</sup>	<input type="checkbox"/> 16.5"	<input type="checkbox"/> 16.5"	<input type="checkbox"/> 16.5"				
	<input type="checkbox"/> 17"	<input type="checkbox"/> 17"	<input type="checkbox"/> 17"	<input type="checkbox"/> 17"	<input type="checkbox"/> 17"	<input type="checkbox"/> 17"	
	<input type="checkbox"/> 17.5"	<input type="checkbox"/> 17.5"	<input type="checkbox"/> 17.5"	<input type="checkbox"/> 17.5"	<input type="checkbox"/> 17.5"	<input type="checkbox"/> 17.5"	
	<input type="checkbox"/> 18"	<input type="checkbox"/> 18"	<input type="checkbox"/> 18"	<input type="checkbox"/> 18"	<input type="checkbox"/> 18"	<input type="checkbox"/> 18"	
	<input type="checkbox"/> 18.5"	<input type="checkbox"/> 18.5"	<input type="checkbox"/> 18.5"	<input type="checkbox"/> 18.5"	<input type="checkbox"/> 18.5"	<input type="checkbox"/> 18.5"	
	<input type="checkbox"/> 19"	<input type="checkbox"/> 19"	<input type="checkbox"/> 19"	<input type="checkbox"/> 19"			
12" with Drum Brake	<input type="checkbox"/> 13"						
	<input type="checkbox"/> 13.5"						
	<input type="checkbox"/> 14"	<input type="checkbox"/> 14"	<input type="checkbox"/> 14"				
	<input type="checkbox"/> 14.5"	<input type="checkbox"/> 14.5"	<input type="checkbox"/> 14.5"				
	<input type="checkbox"/> 17.5"	<input type="checkbox"/> 17.5"	<input type="checkbox"/> 17.5"	<input type="checkbox"/> 17.5"	<input type="checkbox"/> 17.5"	<input type="checkbox"/> 17.5"	
	<input type="checkbox"/> 18"	<input type="checkbox"/> 18"	<input type="checkbox"/> 18"	<input type="checkbox"/> 18"	<input type="checkbox"/> 18"	<input type="checkbox"/> 18"	
	<input type="checkbox"/> 18.5"	<input type="checkbox"/> 18.5"	<input type="checkbox"/> 18.5"	<input type="checkbox"/> 18.5"	<input type="checkbox"/> 18.5"	<input type="checkbox"/> 18.5"	
	<input type="checkbox"/> 19"	<input type="checkbox"/> 19"	<input type="checkbox"/> 19"	<input type="checkbox"/> 19"	<input type="checkbox"/> 19"	<input type="checkbox"/> 19"	
	<input type="checkbox"/> 19.5"	<input type="checkbox"/> 19.5"	<input type="checkbox"/> 19.5"	<input type="checkbox"/> 19.5"	<input type="checkbox"/> 19.5"	<input type="checkbox"/> 19.5"	
	<input type="checkbox"/> 20" <sup>2</sup>		<input type="checkbox"/> 20" <sup>2</sup>	<input type="checkbox"/> 20" <sup>2</sup>	<input type="checkbox"/> 20" <sup>2</sup>	<input type="checkbox"/> 20" <sup>2</sup>	
16" with Pneumatic, Pneumatic with Airless Insert or Full Poly Tire <sup>4</sup>	<input type="checkbox"/> 13"						
	<input type="checkbox"/> 13.5"						
	<input type="checkbox"/> 14"	<input type="checkbox"/> 14"	<input type="checkbox"/> 14"				
	<input type="checkbox"/> 14.5"	<input type="checkbox"/> 14.5"	<input type="checkbox"/> 14.5"				
	<input type="checkbox"/> 15"	<input type="checkbox"/> 15"	<input type="checkbox"/> 15"	<input type="checkbox"/> 15"			
	<input type="checkbox"/> 15.5"	<input type="checkbox"/> 15.5"	<input type="checkbox"/> 15.5"	<input type="checkbox"/> 15.5"			
	<input type="checkbox"/> 16"	<input type="checkbox"/> 16"	<input type="checkbox"/> 16"	<input type="checkbox"/> 16"	<input type="checkbox"/> 16"	<input type="checkbox"/> 16"	
	<input type="checkbox"/> 16.5" <sup>1</sup>	<input type="checkbox"/> 16.5" <sup>1</sup>	<input type="checkbox"/> 16.5" <sup>1</sup>	<input type="checkbox"/> 16.5" <sup>1</sup>	<input type="checkbox"/> 16.5" <sup>1</sup>		
	<input type="checkbox"/> 19"	<input type="checkbox"/> 19"	<input type="checkbox"/> 19"	<input type="checkbox"/> 19" <sup>2</sup>	<input type="checkbox"/> 19"	<input type="checkbox"/> 19"	
	<input type="checkbox"/> 19.5"	<input type="checkbox"/> 19.5"	<input type="checkbox"/> 19.5"	<input type="checkbox"/> 19.5"	<input type="checkbox"/> 19.5"	<input type="checkbox"/> 19.5"	
	<input type="checkbox"/> 20"	<input type="checkbox"/> 20"	<input type="checkbox"/> 20"	<input type="checkbox"/> 20"	<input type="checkbox"/> 20"	<input type="checkbox"/> 20"	
	<input type="checkbox"/> 20.5"	<input type="checkbox"/> 20.5"	<input type="checkbox"/> 20.5"	<input type="checkbox"/> 20.5"	<input type="checkbox"/> 20.5"	<input type="checkbox"/> 20.5"	
	16" with Low Poly Tire <sup>4</sup>	<input type="checkbox"/> 13"					
		<input type="checkbox"/> 13.5"					
<input type="checkbox"/> 14"		<input type="checkbox"/> 14"	<input type="checkbox"/> 14"				
<input type="checkbox"/> 14.5"		<input type="checkbox"/> 14.5"	<input type="checkbox"/> 14.5"				
<input type="checkbox"/> 15"		<input type="checkbox"/> 15"	<input type="checkbox"/> 15"	<input type="checkbox"/> 15"			
<input type="checkbox"/> 18"		<input type="checkbox"/> 18"	<input type="checkbox"/> 18"	<input type="checkbox"/> 18"	<input type="checkbox"/> 18"	<input type="checkbox"/> 18"	
<input type="checkbox"/> 18.5"		<input type="checkbox"/> 18.5"	<input type="checkbox"/> 18.5"	<input type="checkbox"/> 18.5"	<input type="checkbox"/> 18.5"	<input type="checkbox"/> 18.5"	
<input type="checkbox"/> 19"		<input type="checkbox"/> 19"	<input type="checkbox"/> 19"	<input type="checkbox"/> 19"	<input type="checkbox"/> 19"	<input type="checkbox"/> 19"	
<input type="checkbox"/> 19.5"		<input type="checkbox"/> 19.5"	<input type="checkbox"/> 19.5"	<input type="checkbox"/> 19.5"	<input type="checkbox"/> 19.5"	<input type="checkbox"/> 19.5"	
<input type="checkbox"/> 20"		<input type="checkbox"/> 20"	<input type="checkbox"/> 20"	<input type="checkbox"/> 20"	<input type="checkbox"/> 20"	<input type="checkbox"/> 20"	
			<input type="checkbox"/> 20.5"	<input type="checkbox"/> 20.5"	<input type="checkbox"/> 20.5"		

Rear Wheel Size	Caster Size					
	5"	6"	6" x 2"	7"	8"	8" x 2"
16" with Drum Brake <sup>4</sup>	Seat Height					
	<input type="checkbox"/> 13.5"					
	<input type="checkbox"/> 14"	<input type="checkbox"/> 14"	<input type="checkbox"/> 14"			
	<input type="checkbox"/> 14.5"	<input type="checkbox"/> 14.5"	<input type="checkbox"/> 14.5"			
	<input type="checkbox"/> 15"	<input type="checkbox"/> 15"	<input type="checkbox"/> 15"	<input type="checkbox"/> 15"		
	<input type="checkbox"/> 15.5"	<input type="checkbox"/> 15.5"	<input type="checkbox"/> 15.5"	<input type="checkbox"/> 15.5"		
	<input type="checkbox"/> 16"	<input type="checkbox"/> 16"	<input type="checkbox"/> 16"			<input type="checkbox"/> 16"
		<input type="checkbox"/> 18.5"	<input type="checkbox"/> 18.5"	<input type="checkbox"/> 18.5"	<input type="checkbox"/> 18.5"	<input type="checkbox"/> 18.5"
	<input type="checkbox"/> 19"	<input type="checkbox"/> 19"	<input type="checkbox"/> 19"	<input type="checkbox"/> 19"	<input type="checkbox"/> 19"	<input type="checkbox"/> 19"
	<input type="checkbox"/> 19.5"	<input type="checkbox"/> 19.5"	<input type="checkbox"/> 19.5"	<input type="checkbox"/> 19.5"	<input type="checkbox"/> 19.5"	<input type="checkbox"/> 19.5"
20"	<input type="checkbox"/> 20"	<input type="checkbox"/> 20"	<input type="checkbox"/> 20"	<input type="checkbox"/> 20"	<input type="checkbox"/> 20"	<input type="checkbox"/> 20"
	<input type="checkbox"/> 20.5"	<input type="checkbox"/> 20.5"	<input type="checkbox"/> 20.5"	<input type="checkbox"/> 20.5"	<input type="checkbox"/> 20.5"	<input type="checkbox"/> 20.5"
	<input type="checkbox"/> 15"	<input type="checkbox"/> 15"	<input type="checkbox"/> 15"	<input type="checkbox"/> 15"		
	<input type="checkbox"/> 15.5"	<input type="checkbox"/> 15.5"	<input type="checkbox"/> 15.5"	<input type="checkbox"/> 15.5"		
	<input type="checkbox"/> 16"	<input type="checkbox"/> 16"	<input type="checkbox"/> 16"	<input type="checkbox"/> 16"	<input type="checkbox"/> 16"	<input type="checkbox"/> 16"
	<input type="checkbox"/> 16.5"	<input type="checkbox"/> 16.5"	<input type="checkbox"/> 16.5"	<input type="checkbox"/> 16.5"	<input type="checkbox"/> 16.5"	<input type="checkbox"/> 16.5"
	<input type="checkbox"/> 17"	<input type="checkbox"/> 17"	<input type="checkbox"/> 17"	<input type="checkbox"/> 17"	<input type="checkbox"/> 17"	<input type="checkbox"/> 17"
	<input type="checkbox"/> 17.5"	<input type="checkbox"/> 17.5"	<input type="checkbox"/> 17.5"	<input type="checkbox"/> 17.5"	<input type="checkbox"/> 17.5"	<input type="checkbox"/> 17.5"
22"	<input type="checkbox"/> 18"	<input type="checkbox"/> 18"	<input type="checkbox"/> 18"	<input type="checkbox"/> 18"	<input type="checkbox"/> 18"	<input type="checkbox"/> 18"
	<input type="checkbox"/> 18.5"	<input type="checkbox"/> 18.5"	<input type="checkbox"/> 18.5"	<input type="checkbox"/> 18.5"	<input type="checkbox"/> 18.5"	<input type="checkbox"/> 18.5"
	<input type="checkbox"/> 19"	<input type="checkbox"/> 19"	<input type="checkbox"/> 19"	<input type="checkbox"/> 19"	<input type="checkbox"/> 19"	<input type="checkbox"/> 19"
	<input type="checkbox"/> 19.5"	<input type="checkbox"/> 19.5"	<input type="checkbox"/> 19.5"	<input type="checkbox"/> 19.5"	<input type="checkbox"/> 19.5"	
	<input type="checkbox"/> 16"	<input type="checkbox"/> 16"	<input type="checkbox"/> 16"	<input type="checkbox"/> 16"	<input type="checkbox"/> 16"	
	<input type="checkbox"/> 16.5"	<input type="checkbox"/> 16.5"	<input type="checkbox"/> 16.5"	<input type="checkbox"/> 16.5"	<input type="checkbox"/> 16.5"	<input type="checkbox"/> 16.5"
24"	<input type="checkbox"/> 17"	<input type="checkbox"/> 17"	<input type="checkbox"/> 17"	<input type="checkbox"/> 17"	<input type="checkbox"/> 17"	<input type="checkbox"/> 17"
	<input type="checkbox"/> 17.5"	<input type="checkbox"/> 17.5"	<input type="checkbox"/> 17.5"	<input type="checkbox"/> 17.5"	<input type="checkbox"/> 17.5"	<input type="checkbox"/> 17.5"
	<input type="checkbox"/> 18"	<input type="checkbox"/> 18"	<input type="checkbox"/> 18"	<input type="checkbox"/> 18"	<input type="checkbox"/> 18"	<input type="checkbox"/> 18"
	<input type="checkbox"/> 18.5"	<input type="checkbox"/> 18.5"	<input type="checkbox"/> 18.5"	<input type="checkbox"/> 18.5"	<input type="checkbox"/> 18.5"	<input type="checkbox"/> 18.5"
	<input type="checkbox"/> 19"	<input type="checkbox"/> 19"	<input type="checkbox"/> 19"	<input type="checkbox"/> 19"	<input type="checkbox"/> 19"	<input type="checkbox"/> 19"
	<input type="checkbox"/> 19.5"	<input type="checkbox"/> 19.5"	<input type="checkbox"/> 19.5"	<input type="checkbox"/> 19.5"	<input type="checkbox"/> 19.5"	<input type="checkbox"/> 19.5"
	<input type="checkbox"/> 20"	<input type="checkbox"/> 20"	<input type="checkbox"/> 20"	<input type="checkbox"/> 20"	<input type="checkbox"/> 20"	<input type="checkbox"/> 20" <sup>2</sup>
	<input type="checkbox"/> 16.5" <sup>5</sup>	<input type="checkbox"/> 16.5" <sup>1,5</sup>	<input type="checkbox"/> 16.5" <sup>1,5</sup>			
	<input type="checkbox"/> 17" <sup>5</sup>	<input type="checkbox"/> 17" <sup>5</sup>	<input type="checkbox"/> 17" <sup>5</sup>	<input type="checkbox"/> 17" <sup>5</sup>	<input type="checkbox"/> 17" <sup>5</sup>	<input type="checkbox"/> 17" <sup>5</sup>
	<input type="checkbox"/> 17.5" <sup>6</sup>	<input type="checkbox"/> 17.5" <sup>6</sup>	<input type="checkbox"/> 17.5" <sup>6</sup>	<input type="checkbox"/> 17.5"	<input type="checkbox"/> 17.5"	<input type="checkbox"/> 17.5" <sup>6</sup>

<sup>1</sup> Available only with Full Poly tire  
<sup>2</sup> Not available with Full Poly tire  
<sup>3</sup> Not available with Vent and Battery Tray combination  
<sup>4</sup> Seat heights higher than 16.5" with 16" wheel size not available with Vent and Battery Tray combination  
<sup>5</sup> Not available with Drum Brake  
<sup>6</sup> Not available with Drum Brake in combination with Pneumatic tires

## Casters and Rear Wheels

### One Arm Drive

- One Arm Drive - Quick Release (E0958) \$1379  
*Available only with 24" Spoke wheels. Spoke wheel style is exclusive to OAD. Not available with Vent Tray, Battery Box Holder, Self Propel Axle Plate or Angle Adjustable Locking Extendable Flip Up. Standard Handrim will be Aluminum Anodized. Axle is Quick Release.*
- Left Side Drive N/C
- Right Side Drive N/C
- Aluminum Drive Handrim N/C
- Poly Coated Drive Handrim \$205

### Casters

		Caster Size				
		Price	5"	6"	7"	8"
Caster Type	1" Poly	N/C	<input type="checkbox"/>	<input type="checkbox"/>	<input type="checkbox"/>	<input type="checkbox"/>
	1" Poly Aluminum	\$118	<input type="checkbox"/>			
	1" Pneumatic	\$118		<input type="checkbox"/>		<input type="checkbox"/>
	1.5" Poly	\$95	<input type="checkbox"/>	<input type="checkbox"/>		
	1.5" Soft Roll Aluminum	\$190	<input type="checkbox"/>	<input type="checkbox"/>		
	2" Poly	\$97		<input type="checkbox"/>		
	2" Pneumatic w/Foam Insert	\$246				<input type="checkbox"/>

### Axle

- No selection needed with One Arm Drive or Drum Brake*
- Fixed N/C
  - Quick Release N/C

### Self Propel Axle Plate

- Self Propel Axle Plate \$103  
*Not available with Vent Tray or 12" or 16" wheel sizes*

## Wheel Locks

### Wheel locks

- Push to Lock N/C
- Pull to Lock N/C  
*Not available with 12" or 16" Full Poly tires*
- Attendant Foot Lock \$87
- Combination Attendant Foot Lock \$159  
*Available only with 12" or 16" wheel sizes. Includes Extension Handles. Push to Lock only.*
- Drum Brake (E2228) \$595  
*Available only with 12" Mag, 16" Mag, or MAXX Spoke wheels. Not available with 16" Low Poly tire, Reclining Backrest, One Arm Drive or Self Propel Axle Plate. Axle is Quick Release.*
- Dual - Drum Brake with Push to Lock (E2228) \$702  
*Available only with 12" Mag, 16" Mag, or MAXX Spoke wheels. Not available with 16" Low Poly tire, Reclining Backrest, One Arm Drive or Self Propel Axle Plate. Axle is Quick Release.*
- Dual - Drum Brake with Pull to Lock (E2228) \$702  
*Available only with 12" Mag, 16" Mag, or MAXX Spoke wheels. Not available with 16" Low Poly tire, Reclining Backrest, One Arm Drive or Self Propel Axle Plate. Axle is Quick Release.*
- Omit Wheel Locks N/C

### Rear Wheel

*No selection needed with One Arm Drive*

		Rear Wheel Size					
		Price	12"	16"	20"	22"	24"
Rear Wheel Type	Mag	N/C	<input type="checkbox"/>	<input type="checkbox"/>	<input type="checkbox"/>	<input type="checkbox"/>	<input type="checkbox"/>
	Spoke	\$205					<input type="checkbox"/>

### Rear Tire Type

- Full Poly (E2218) N/C
- Pneumatic (E2211,E2212) N/C
- Pneumatic with Airless Insert (E2211, E2213) \$97
- Low Poly (E2218) N/C  
*Available only with 16" wheel size*

### Handrims

*Handrims not available on 12" or 16" wheel sizes. No selection needed with One Arm Drive*

#### Standard Handrims

- Aluminum Anodized N/C
- Plastic Coated \$123
- Projection (8 Vertical Projections) \$349  
*Available only with full profile tires in combination with 22", 24", and 26" MAXX Spoke wheels, or 22" and 24" Mag wheels*
- Omit Handrim N/C

### Handrim Options

*Not available on Plastic Coated or Projection Handrims*

- 3M Micro Grip \$72

## Armrests

Armrest Type	Length	Price
Height Adjustable T-Arm Tall (11.5"-15") E0973	Desk <input type="checkbox"/>	\$323
	Full <input type="checkbox"/>	
Height Adjustable T-Arm (8.5"-13.5") E0973	Desk <input type="checkbox"/>	\$323
	Full <input type="checkbox"/>	
Height Adjustable T-Arm Low (6.5"-10.5") E0973 <sup>1</sup>	Desk <input type="checkbox"/>	\$323
	Full <input type="checkbox"/>	

**1** If requested configuration is unavailable, Standard Height T-Arm will be used. Not available with 14" seat depth and Offset Hangers"

**2** Not available with IV Pole

**3** Not available with Dynamic Back

**4** Minimum armrest height with Reclining Backrest is 12"

Armrest Type	Length	Price
Height Adj. Dual Post Flip Back (9.5"-14.5") 2 <sup>2</sup>	Desk <input type="checkbox"/>	\$320
	Full <input type="checkbox"/>	
Angle Adjustable Locking Extendable Flip Up 3,4 <sup>3,4</sup>	Desk <input type="checkbox"/>	\$297
	Full <input type="checkbox"/>	
Omit Armrests	<input type="checkbox"/>	N/C

### Arm Pads

- Standard Arm Pad \_\_\_\_\_ N/C
- Waterfall Arm Pad \_\_\_\_\_ \$26  
*Not available with Angle Adjustable Locking Extendable Flip Up Armrests*
- Foam Grip \_\_\_\_\_ N/C  
*Available only with Angle Adjustable Locking Extendable Flip Up Armrest*

## Accessories

### Removable Side Guard

- Composite Side Guards (K0108) \_\_\_\_\_ \$149  
*Not available with T-Arm or Dual Post Flip Back Armrests*

### Anti-Tip

- Rear Anti-Tips (E0971) \_\_\_\_\_ \$168  
*Required with Reclining Backrest or Vent Tray*
- Omit \_\_\_\_\_ N/C

### Pelvic Positioning Belt

- 1 1/2" Auto Buckle Pelvic Positioning Belt (E0978) \_\_\_\_\_ \$87
- 1 1/2" Padded Auto Buckle Pelvic Positioning Belt (E0978) \_\_\_\_\_ \$179
- 2" Airline Buckle Pelvic Positioning Belt (E0978) \_\_\_\_\_ \$118
- Small Bodypoint Evoflex (16-24") (E0978) \_\_\_\_\_ \$200
- Medium Bodypoint Evoflex (19-29") (E0978) \_\_\_\_\_ \$200
- Large Bodypoint Evoflex (25-37") (E0978) \_\_\_\_\_ \$200

### Belt Mounting Kit

- Ki Mobility Belt Mounting Brackets \_\_\_\_\_ \$51
- Belt Mounting Band Clamp \_\_\_\_\_ \$36

### U.S. Military Service Patches

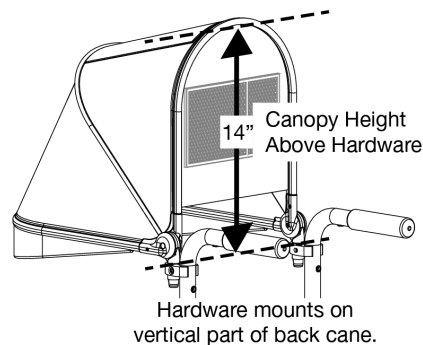
- Army  Navy  Marines  Air Force
- Coast Guard  US Purple Heart \_\_\_\_\_ \$92
- Combo Army/Purple Heart  Combo Navy/Purple Heart
- Combo Marines/Purple Heart  Combo Air Force/Purple Heart
- Combo Coast Guard/Purple Heart \_\_\_\_\_ \$149

### O2 Holder

- O2 Holder (E2208) \_\_\_\_\_ \$179  
*Not available with Reclining Backrest or Dynamic Back*

### Other Accessories

- Tool Kit \_\_\_\_\_ \$62
- Removable Underseat Pouch \_\_\_\_\_ \$56
- Ki Mobility Backpack \_\_\_\_\_ \$72
- Black Neoprene Impact Guards \_\_\_\_\_ \$97
- Tilt Stop (Pair) \_\_\_\_\_ \$31  
*Included with Offset Hanger*
- IV Pole \_\_\_\_\_ \$292
- Canopy with Hardware (K0108) \_\_\_\_\_ \$297  
*Not available on frame widths greater than 18". See image below.*





Phone (800) 981-1540 | Fax (715) 254-0996  
sales@kimobility.com | www.kimobility.com



## Frame Color

Gloss Finish		Matte Finish	
<input type="checkbox"/> Black	N/C	<input type="checkbox"/> Military Green	N/C
<input type="checkbox"/> Blue Skies	N/C	<input type="checkbox"/> Charcoal Gray	N/C
<input type="checkbox"/> Bubblegum Pink	N/C	<input type="checkbox"/> Emerald Green	N/C
<input type="checkbox"/> Candy Blue	N/C	<input type="checkbox"/> Iridescent Burgundy	N/C
<input type="checkbox"/> Candy Purple	N/C	<input type="checkbox"/> Iridescent Navy	N/C
<input type="checkbox"/> Candy Red	N/C	<input type="checkbox"/> Retro Red	N/C
<input type="checkbox"/> Copper	N/C	<input type="checkbox"/> Royal Blue	N/C
<input type="checkbox"/> Granny Smith	N/C	<input type="checkbox"/> Shadow Black	N/C
<input type="checkbox"/> Metallic Orange	N/C	<input type="checkbox"/> Smooth White	N/C
<input type="checkbox"/> Yellow	N/C		





Phone (800) 981-1540 | Fax (715) 254-0996  
 sales@kimobility.com | www.kimobility.com



## Axiom G - General Use Cushion

Weight Capacity: 350 lbs

		Width							
		14"	15"	16"	17"	18"	19"	20"	22"
Retail		\$138	\$138	\$138	\$138	\$138	\$138	\$138	\$229
HCPC		E2601	E2601	E2601	E2601	E2601	E2601	E2601	E2602
Depth	14"	<input type="checkbox"/> XG1414							
	15"	<input type="checkbox"/> XG1415	<input type="checkbox"/> XG1515	<input type="checkbox"/> XG1615					
	16"	<input type="checkbox"/> XG1416	<input type="checkbox"/> XG1516	<input type="checkbox"/> XG1616	<input type="checkbox"/> XG1716	<input type="checkbox"/> XG1816	<input type="checkbox"/> XG1916	<input type="checkbox"/> XG2016	
	17"	<input type="checkbox"/> XG1417	<input type="checkbox"/> XG1517	<input type="checkbox"/> XG1617	<input type="checkbox"/> XG1717	<input type="checkbox"/> XG1817	<input type="checkbox"/> XG1917	<input type="checkbox"/> XG2017	
	18"	<input type="checkbox"/> XG1418	<input type="checkbox"/> XG1518	<input type="checkbox"/> XG1618	<input type="checkbox"/> XG1718	<input type="checkbox"/> XG1818	<input type="checkbox"/> XG1918	<input type="checkbox"/> XG2018	<input type="checkbox"/> XG2218
	19"		<input type="checkbox"/> XG1519	<input type="checkbox"/> XG1619	<input type="checkbox"/> XG1719	<input type="checkbox"/> XG1819	<input type="checkbox"/> XG1919	<input type="checkbox"/> XG2019	<input type="checkbox"/> XG2219
	20"		<input type="checkbox"/> XG1520	<input type="checkbox"/> XG1620	<input type="checkbox"/> XG1720	<input type="checkbox"/> XG1820	<input type="checkbox"/> XG1920	<input type="checkbox"/> XG2020	<input type="checkbox"/> XG2220
	21"			<input type="checkbox"/> XG1621		<input type="checkbox"/> XG1821	<input type="checkbox"/> XG1921	<input type="checkbox"/> XG2021	<input type="checkbox"/> XG2221
	22"			<input type="checkbox"/> XG1622		<input type="checkbox"/> XG1822	<input type="checkbox"/> XG1922	<input type="checkbox"/> XG2022	<input type="checkbox"/> XG2222

## Axiom G - General Use Cushion with Extra Outer Cover

Weight Capacity: 350 lbs

		Width							
		14"	15"	16"	17"	18"	19"	20"	22"
Retail		\$224	\$224	\$224	\$224	\$224	\$224	\$224	\$315
HCPC		E2601	E2601	E2601	E2601	E2601	E2601	E2601	E2602
Depth	14"	<input type="checkbox"/> XG1414C2							
	15"	<input type="checkbox"/> XG1415C2	<input type="checkbox"/> XG1515C2	<input type="checkbox"/> XG1615C2					
	16"	<input type="checkbox"/> XG1416C2	<input type="checkbox"/> XG1516C2	<input type="checkbox"/> XG1616C2	<input type="checkbox"/> XG1716C2	<input type="checkbox"/> XG1816C2	<input type="checkbox"/> XG1916C2	<input type="checkbox"/> XG2016C2	
	17"	<input type="checkbox"/> XG1417C2	<input type="checkbox"/> XG1517C2	<input type="checkbox"/> XG1617C2	<input type="checkbox"/> XG1717C2	<input type="checkbox"/> XG1817C2	<input type="checkbox"/> XG1917C2	<input type="checkbox"/> XG2017C2	
	18"	<input type="checkbox"/> XG1418C2	<input type="checkbox"/> XG1518C2	<input type="checkbox"/> XG1618C2	<input type="checkbox"/> XG1718C2	<input type="checkbox"/> XG1818C2	<input type="checkbox"/> XG1918C2	<input type="checkbox"/> XG2018C2	<input type="checkbox"/> XG2218C2
	19"		<input type="checkbox"/> XG1519C2	<input type="checkbox"/> XG1619C2	<input type="checkbox"/> XG1719C2	<input type="checkbox"/> XG1819C2	<input type="checkbox"/> XG1919C2	<input type="checkbox"/> XG2019C2	<input type="checkbox"/> XG2219C2
	20"		<input type="checkbox"/> XG1520C2	<input type="checkbox"/> XG1620C2	<input type="checkbox"/> XG1720C2	<input type="checkbox"/> XG1820C2	<input type="checkbox"/> XG1920C2	<input type="checkbox"/> XG2020C2	<input type="checkbox"/> XG2220C2
	21"			<input type="checkbox"/> XG1621C2		<input type="checkbox"/> XG1821C2	<input type="checkbox"/> XG1921C2	<input type="checkbox"/> XG2021C2	<input type="checkbox"/> XG2221C2
	22"			<input type="checkbox"/> XG1622C2		<input type="checkbox"/> XG1822C2	<input type="checkbox"/> XG1922C2	<input type="checkbox"/> XG2022C2	<input type="checkbox"/> XG2222C2

HCPCS codes provided are based on code verification by the PDAC or our interpretation of the code definitions.

Proper use of HCPCS codes does not ensure coverage or payment. For coverage information, verify the appropriate payer's coverage policy.

DCN0236.10 Pricing and specifications subject to change without notice.



Phone (800) 981-1540 | Fax (715) 254-0996  
 sales@kimobility.com | www.kimobility.com



## Axiom S - Skin Protection Cushion

Weight capacity: 350 lbs

		Width							
		14"	15"	16"	17"	18"	19"	20"	22"
Retail		\$235	\$235	\$235	\$235	\$235	\$235	\$235	\$352
HCPC		E2603	E2603	E2603	E2603	E2603	E2603	E2603	E2604
Depth	14"	<input type="checkbox"/> XS1414							
	15"	<input type="checkbox"/> XS1415	<input type="checkbox"/> XS1515	<input type="checkbox"/> XS1615					
	16"	<input type="checkbox"/> XS1416	<input type="checkbox"/> XS1516	<input type="checkbox"/> XS1616	<input type="checkbox"/> XS1716	<input type="checkbox"/> XS1816	<input type="checkbox"/> XS1916	<input type="checkbox"/> XS2016	
	17"	<input type="checkbox"/> XS1417	<input type="checkbox"/> XS1517	<input type="checkbox"/> XS1617	<input type="checkbox"/> XS1717	<input type="checkbox"/> XS1817	<input type="checkbox"/> XS1917	<input type="checkbox"/> XS2017	
	18"	<input type="checkbox"/> XS1418	<input type="checkbox"/> XS1518	<input type="checkbox"/> XS1618	<input type="checkbox"/> XS1718	<input type="checkbox"/> XS1818	<input type="checkbox"/> XS1918	<input type="checkbox"/> XS2018	<input type="checkbox"/> XS2218
	19"		<input type="checkbox"/> XS1519	<input type="checkbox"/> XS1619	<input type="checkbox"/> XS1719	<input type="checkbox"/> XS1819	<input type="checkbox"/> XS1919	<input type="checkbox"/> XS2019	<input type="checkbox"/> XS2219
	20"		<input type="checkbox"/> XS1520	<input type="checkbox"/> XS1620	<input type="checkbox"/> XS1720	<input type="checkbox"/> XS1820	<input type="checkbox"/> XS1920	<input type="checkbox"/> XS2020	<input type="checkbox"/> XS2220
	21"			<input type="checkbox"/> XS1621		<input type="checkbox"/> XS1821	<input type="checkbox"/> XS1921	<input type="checkbox"/> XS2021	<input type="checkbox"/> XS2221
	22"			<input type="checkbox"/> XS1622		<input type="checkbox"/> XS1822	<input type="checkbox"/> XS1922	<input type="checkbox"/> XS2022	<input type="checkbox"/> XS2222

## Axiom S - Skin Protection Cushion with Extra Outer Cover

Weight capacity: 350 lbs

		Width							
		14"	15"	16"	17"	18"	19"	20"	22"
Retail		\$333	\$333	\$333	\$333	\$333	\$333	\$333	\$450
HCPC		E2603	E2603	E2603	E2603	E2603	E2603	E2603	E2604
Depth	14"	<input type="checkbox"/> XS1414C2							
	15"	<input type="checkbox"/> XS1415C2	<input type="checkbox"/> XS1515C2	<input type="checkbox"/> XS1615C2					
	16"	<input type="checkbox"/> XS1416C2	<input type="checkbox"/> XS1516C2	<input type="checkbox"/> XS1616C2	<input type="checkbox"/> XS1716C2	<input type="checkbox"/> XS1816C2	<input type="checkbox"/> XS1916C2	<input type="checkbox"/> XS2016C2	
	17"	<input type="checkbox"/> XS1417C2	<input type="checkbox"/> XS1517C2	<input type="checkbox"/> XS1617C2	<input type="checkbox"/> XS1717C2	<input type="checkbox"/> XS1817C2	<input type="checkbox"/> XS1917C2	<input type="checkbox"/> XS2017C2	
	18"	<input type="checkbox"/> XS1418C2	<input type="checkbox"/> XS1518C2	<input type="checkbox"/> XS1618C2	<input type="checkbox"/> XS1718C2	<input type="checkbox"/> XS1818C2	<input type="checkbox"/> XS1918C2	<input type="checkbox"/> XS2018C2	<input type="checkbox"/> XS2218C2
	19"		<input type="checkbox"/> XS1519C2	<input type="checkbox"/> XS1619C2	<input type="checkbox"/> XS1719C2	<input type="checkbox"/> XS1819C2	<input type="checkbox"/> XS1919C2	<input type="checkbox"/> XS2019C2	<input type="checkbox"/> XS2219C2
	20"		<input type="checkbox"/> XS1520C2	<input type="checkbox"/> XS1620C2	<input type="checkbox"/> XS1720C2	<input type="checkbox"/> XS1820C2	<input type="checkbox"/> XS1920C2	<input type="checkbox"/> XS2020C2	<input type="checkbox"/> XS2220C2
	21"			<input type="checkbox"/> XS1621C2		<input type="checkbox"/> XS1821C2	<input type="checkbox"/> XS1921C2	<input type="checkbox"/> XS2021C2	<input type="checkbox"/> XS2221C2
	22"			<input type="checkbox"/> XS1622C2		<input type="checkbox"/> XS1822C2	<input type="checkbox"/> XS1922C2	<input type="checkbox"/> XS2022C2	<input type="checkbox"/> XS2222C2

## Axiom P - Positioning Cushion

Weight Capacity: 350 lbs

		Width							
		14"	15"	16"	17"	18"	19"	20"	22"
Retail		\$407	\$407	\$407	\$407	\$407	\$407	\$407	\$528
HCPC		E2605	E2605	E2605	E2605	E2605	E2605	E2605	E2606
Depth	14"	<input type="checkbox"/> XP1414							
	15"	<input type="checkbox"/> XP1415	<input type="checkbox"/> XP1515	<input type="checkbox"/> XP1615					
	16"	<input type="checkbox"/> XP1416	<input type="checkbox"/> XP1516	<input type="checkbox"/> XP1616	<input type="checkbox"/> XP1716	<input type="checkbox"/> XP1816	<input type="checkbox"/> XP1916	<input type="checkbox"/> XP2016	
	17"	<input type="checkbox"/> XP1417	<input type="checkbox"/> XP1517	<input type="checkbox"/> XP1617	<input type="checkbox"/> XP1717	<input type="checkbox"/> XP1817	<input type="checkbox"/> XP1917	<input type="checkbox"/> XP2017	
	18"	<input type="checkbox"/> XP1418	<input type="checkbox"/> XP1518	<input type="checkbox"/> XP1618	<input type="checkbox"/> XP1718	<input type="checkbox"/> XP1818	<input type="checkbox"/> XP1918	<input type="checkbox"/> XP2018	<input type="checkbox"/> XP2218
	19"		<input type="checkbox"/> XP1519	<input type="checkbox"/> XP1619	<input type="checkbox"/> XP1719	<input type="checkbox"/> XP1819	<input type="checkbox"/> XP1919	<input type="checkbox"/> XP2019	<input type="checkbox"/> XP2219
	20"		<input type="checkbox"/> XP1520	<input type="checkbox"/> XP1620	<input type="checkbox"/> XP1720	<input type="checkbox"/> XP1820	<input type="checkbox"/> XP1920	<input type="checkbox"/> XP2020	<input type="checkbox"/> XP2220
	21"			<input type="checkbox"/> XP1621		<input type="checkbox"/> XP1821	<input type="checkbox"/> XP1921	<input type="checkbox"/> XP2021	<input type="checkbox"/> XP2221
	22"			<input type="checkbox"/> XP1622		<input type="checkbox"/> XP1822	<input type="checkbox"/> XP1922	<input type="checkbox"/> XP2022	<input type="checkbox"/> XP2222



Phone (800) 981-1540 | Fax (715) 254-0996  
 sales@kimobility.com | www.kimobility.com



## Axiom P - Positioning Cushion with Extra Outer Cover

Weight Capacity: 350 lbs

		Width							
		14"	15"	16"	17"	18"	19"	20"	22"
Retail		\$517	\$517	\$517	\$517	\$517	\$517	\$517	\$638
HCPC		E2605	E2605	E2605	E2605	E2605	E2605	E2605	E2606
Depth	14"	<input type="checkbox"/> XP1414C2							
	15"	<input type="checkbox"/> XP1415C2	<input type="checkbox"/> XP1515C2	<input type="checkbox"/> XP1615C2					
	16"	<input type="checkbox"/> XP1416C2	<input type="checkbox"/> XP1516C2	<input type="checkbox"/> XP1616C2	<input type="checkbox"/> XP1716C2	<input type="checkbox"/> XP1816C2	<input type="checkbox"/> XP1916C2	<input type="checkbox"/> XP2016C2	
	17"	<input type="checkbox"/> XP1417C2	<input type="checkbox"/> XP1517C2	<input type="checkbox"/> XP1617C2	<input type="checkbox"/> XP1717C2	<input type="checkbox"/> XP1817C2	<input type="checkbox"/> XP1917C2	<input type="checkbox"/> XP2017C2	
	18"	<input type="checkbox"/> XP1418C2	<input type="checkbox"/> XP1518C2	<input type="checkbox"/> XP1618C2	<input type="checkbox"/> XP1718C2	<input type="checkbox"/> XP1818C2	<input type="checkbox"/> XP1918C2	<input type="checkbox"/> XP2018C2	<input type="checkbox"/> XP2218C2
	19"		<input type="checkbox"/> XP1519C2	<input type="checkbox"/> XP1619C2	<input type="checkbox"/> XP1719C2	<input type="checkbox"/> XP1819C2	<input type="checkbox"/> XP1919C2	<input type="checkbox"/> XP2019C2	<input type="checkbox"/> XP2219C2
	20"		<input type="checkbox"/> XP1520C2	<input type="checkbox"/> XP1620C2	<input type="checkbox"/> XP1720C2	<input type="checkbox"/> XP1820C2	<input type="checkbox"/> XP1920C2	<input type="checkbox"/> XP2020C2	<input type="checkbox"/> XP2220C2
	21"			<input type="checkbox"/> XP1621C2		<input type="checkbox"/> XP1821C2	<input type="checkbox"/> XP1921C2	<input type="checkbox"/> XP2021C2	<input type="checkbox"/> XP2221C2
	22"			<input type="checkbox"/> XP1622C2		<input type="checkbox"/> XP1822C2	<input type="checkbox"/> XP1922C2	<input type="checkbox"/> XP2022C2	<input type="checkbox"/> XP2222C2

## Axiom SP Visco - Skin Protection & Positioning Cushion

Weight capacity: 350 lbs

		Width								
		14"	15"	16"	17"	18"	19"	20"	21"	22"
Retail		\$493	\$493	\$493	\$493	\$493	\$493	\$493	\$603	\$603
HCPC		E2607	E2607	E2607	E2607	E2607	E2607	E2607	E2608	E2608
Depth	14"	<input type="checkbox"/> XSP1414V								
	15"	<input type="checkbox"/> XSP1415V	<input type="checkbox"/> XSP1515V	<input type="checkbox"/> XSP1615V						
	16"	<input type="checkbox"/> XSP1416V	<input type="checkbox"/> XSP1516V	<input type="checkbox"/> XSP1616V	<input type="checkbox"/> XSP1716V	<input type="checkbox"/> XSP1816V	<input type="checkbox"/> XSP1916V	<input type="checkbox"/> XSP2016V		<input type="checkbox"/> XSP2216V
	17"	<input type="checkbox"/> XSP1417V	<input type="checkbox"/> XSP1517V	<input type="checkbox"/> XSP1617V	<input type="checkbox"/> XSP1717V	<input type="checkbox"/> XSP1817V	<input type="checkbox"/> XSP1917V	<input type="checkbox"/> XSP2017V		<input type="checkbox"/> XSP2217V
	18"	<input type="checkbox"/> XSP1418V	<input type="checkbox"/> XSP1518V	<input type="checkbox"/> XSP1618V	<input type="checkbox"/> XSP1718V	<input type="checkbox"/> XSP1818V	<input type="checkbox"/> XSP1918V	<input type="checkbox"/> XSP2018V	<input type="checkbox"/> XSP2118V	<input type="checkbox"/> XSP2218V
	19"		<input type="checkbox"/> XSP1519V	<input type="checkbox"/> XSP1619V	<input type="checkbox"/> XSP1719V	<input type="checkbox"/> XSP1819V	<input type="checkbox"/> XSP1919V	<input type="checkbox"/> XSP2019V	<input type="checkbox"/> XSP2119V	<input type="checkbox"/> XSP2219V
	20"		<input type="checkbox"/> XSP1520V	<input type="checkbox"/> XSP1620V	<input type="checkbox"/> XSP1720V	<input type="checkbox"/> XSP1820V	<input type="checkbox"/> XSP1920V	<input type="checkbox"/> XSP2020V	<input type="checkbox"/> XSP2120V	<input type="checkbox"/> XSP2220V
	21"			<input type="checkbox"/> XSP1621V		<input type="checkbox"/> XSP1821V	<input type="checkbox"/> XSP1921V	<input type="checkbox"/> XSP2021V	<input type="checkbox"/> XSP2121V	<input type="checkbox"/> XSP2221V
	22"			<input type="checkbox"/> XSP1622V		<input type="checkbox"/> XSP1822V	<input type="checkbox"/> XSP1922V	<input type="checkbox"/> XSP2022V	<input type="checkbox"/> XSP2122V	<input type="checkbox"/> XSP2222V

## Axiom SP Visco - Skin Protection & Positioning Cushion with Extra Outer Cover

Weight capacity: 350 lbs

		Width								
		14"	15"	16"	17"	18"	19"	20"	21"	22"
Retail		\$614	\$614	\$614	\$614	\$614	\$614	\$614	\$724	\$724
HCPC		E2607	E2607	E2607	E2607	E2607	E2607	E2607	E2608	E2608
Depth	14"	<input type="checkbox"/> XSP1414VC2								
	15"	<input type="checkbox"/> XSP1415VC2	<input type="checkbox"/> XSP1515VC2	<input type="checkbox"/> XSP1615VC2						
	16"	<input type="checkbox"/> XSP1416VC2	<input type="checkbox"/> XSP1516VC2	<input type="checkbox"/> XSP1616VC2	<input type="checkbox"/> XSP1716VC2	<input type="checkbox"/> XSP1816VC2	<input type="checkbox"/> XSP1916VC2	<input type="checkbox"/> XSP2016VC2		<input type="checkbox"/> XSP2216VC2
	17"	<input type="checkbox"/> XSP1417VC2	<input type="checkbox"/> XSP1517VC2	<input type="checkbox"/> XSP1617VC2	<input type="checkbox"/> XSP1717VC2	<input type="checkbox"/> XSP1817VC2	<input type="checkbox"/> XSP1917VC2	<input type="checkbox"/> XSP2017VC2		<input type="checkbox"/> XSP2217VC2
	18"	<input type="checkbox"/> XSP1418VC2	<input type="checkbox"/> XSP1518VC2	<input type="checkbox"/> XSP1618VC2	<input type="checkbox"/> XSP1718VC2	<input type="checkbox"/> XSP1818VC2	<input type="checkbox"/> XSP1918VC2	<input type="checkbox"/> XSP2018VC2	<input type="checkbox"/> XSP2118VC2	<input type="checkbox"/> XSP2218VC2
	19"		<input type="checkbox"/> XSP1519VC2	<input type="checkbox"/> XSP1619VC2	<input type="checkbox"/> XSP1719VC2	<input type="checkbox"/> XSP1819VC2	<input type="checkbox"/> XSP1919VC2	<input type="checkbox"/> XSP2019VC2	<input type="checkbox"/> XSP2119VC2	<input type="checkbox"/> XSP2219VC2
	20"		<input type="checkbox"/> XSP1520VC2	<input type="checkbox"/> XSP1620VC2	<input type="checkbox"/> XSP1720VC2	<input type="checkbox"/> XSP1820VC2	<input type="checkbox"/> XSP1920VC2	<input type="checkbox"/> XSP2020VC2	<input type="checkbox"/> XSP2120VC2	<input type="checkbox"/> XSP2220VC2
	21"			<input type="checkbox"/> XSP1621VC2		<input type="checkbox"/> XSP1821VC2	<input type="checkbox"/> XSP1921VC2	<input type="checkbox"/> XSP2021VC2	<input type="checkbox"/> XSP2121VC2	<input type="checkbox"/> XSP2221VC2
	22"			<input type="checkbox"/> XSP1622VC2		<input type="checkbox"/> XSP1822VC2	<input type="checkbox"/> XSP1922VC2	<input type="checkbox"/> XSP2022VC2	<input type="checkbox"/> XSP2122VC2	<input type="checkbox"/> XSP2222VC2



Phone (800) 981-1540 | Fax (715) 254-0996  
 sales@kimobility.com | www.kimobility.com



## Axiom SP - Fluid

Weight Capacity: 350 lbs

		Width								
		14"	15"	16"	17"	18"	19"	20"	21"	22"
Retail		\$504	\$504	\$504	\$504	\$504	\$504	\$504	\$617	\$617
HCPC		E2607	E2607	E2607	E2607	E2607	E2607	E2607	E2608	E2608
Depth	14"	<input type="checkbox"/> XSP1414F								
	15"	<input type="checkbox"/> XSP1415F	<input type="checkbox"/> XSP1515F	<input type="checkbox"/> XSP1615F						
	16"	<input type="checkbox"/> XSP1416F	<input type="checkbox"/> XSP1516F	<input type="checkbox"/> XSP1616F	<input type="checkbox"/> XSP1716F	<input type="checkbox"/> XSP1816F	<input type="checkbox"/> XSP1916F	<input type="checkbox"/> XSP2016F		<input type="checkbox"/> XSP2216F
	17"	<input type="checkbox"/> XSP1417F	<input type="checkbox"/> XSP1517F	<input type="checkbox"/> XSP1617F	<input type="checkbox"/> XSP1717F	<input type="checkbox"/> XSP1817F	<input type="checkbox"/> XSP1917F	<input type="checkbox"/> XSP2017F		<input type="checkbox"/> XSP2217F
	18"	<input type="checkbox"/> XSP1418F	<input type="checkbox"/> XSP1518F	<input type="checkbox"/> XSP1618F	<input type="checkbox"/> XSP1718F	<input type="checkbox"/> XSP1818F	<input type="checkbox"/> XSP1918F	<input type="checkbox"/> XSP2018F	<input type="checkbox"/> XSP2118F	<input type="checkbox"/> XSP2218F
	19"		<input type="checkbox"/> XSP1519F	<input type="checkbox"/> XSP1619F	<input type="checkbox"/> XSP1719F	<input type="checkbox"/> XSP1819F	<input type="checkbox"/> XSP1919F	<input type="checkbox"/> XSP2019F	<input type="checkbox"/> XSP2119F	<input type="checkbox"/> XSP2219F
	20"		<input type="checkbox"/> XSP1520F	<input type="checkbox"/> XSP1620F	<input type="checkbox"/> XSP1720F	<input type="checkbox"/> XSP1820F	<input type="checkbox"/> XSP1920F	<input type="checkbox"/> XSP2020F	<input type="checkbox"/> XSP2120F	<input type="checkbox"/> XSP2220F
	21"			<input type="checkbox"/> XSP1621F		<input type="checkbox"/> XSP1821F	<input type="checkbox"/> XSP1921F	<input type="checkbox"/> XSP2021F	<input type="checkbox"/> XSP2121F	<input type="checkbox"/> XSP2221F
	22"			<input type="checkbox"/> XSP1622F		<input type="checkbox"/> XSP1822F	<input type="checkbox"/> XSP1922F	<input type="checkbox"/> XSP2022F	<input type="checkbox"/> XSP2122F	<input type="checkbox"/> XSP2222F

## Axiom SP Fluid - Skin Protection & Positioning Cushion with Extra Outer Cover

Weight Capacity: 350 lbs

		Width								
		14"	15"	16"	17"	18"	19"	20"	21"	22"
Retail		\$625	\$625	\$625	\$625	\$625	\$625	\$625	\$738	\$738
HCPC		E2607	E2607	E2607	E2607	E2607	E2607	E2607	E2608	E2608
Depth	14"	<input type="checkbox"/> XSP1414FC2								
	15"	<input type="checkbox"/> XSP1415FC2	<input type="checkbox"/> XSP1515FC2	<input type="checkbox"/> XSP1615FC2						
	16"	<input type="checkbox"/> XSP1416FC2	<input type="checkbox"/> XSP1516FC2	<input type="checkbox"/> XSP1616FC2	<input type="checkbox"/> XSP1716FC2	<input type="checkbox"/> XSP1816FC2	<input type="checkbox"/> XSP1916FC2	<input type="checkbox"/> XSP2016FC2		<input type="checkbox"/> XSP2216FC2
	17"	<input type="checkbox"/> XSP1417FC2	<input type="checkbox"/> XSP1517FC2	<input type="checkbox"/> XSP1617FC2	<input type="checkbox"/> XSP1717FC2	<input type="checkbox"/> XSP1817FC2	<input type="checkbox"/> XSP1917FC2	<input type="checkbox"/> XSP2017FC2		<input type="checkbox"/> XSP2217FC2
	18"	<input type="checkbox"/> XSP1418FC2	<input type="checkbox"/> XSP1518FC2	<input type="checkbox"/> XSP1618FC2	<input type="checkbox"/> XSP1718FC2	<input type="checkbox"/> XSP1818FC2	<input type="checkbox"/> XSP1918FC2	<input type="checkbox"/> XSP2018FC2	<input type="checkbox"/> XSP2118FC2	<input type="checkbox"/> XSP2218FC2
	19"		<input type="checkbox"/> XSP1519FC2	<input type="checkbox"/> XSP1619FC2	<input type="checkbox"/> XSP1719FC2	<input type="checkbox"/> XSP1819FC2	<input type="checkbox"/> XSP1919FC2	<input type="checkbox"/> XSP2019FC2	<input type="checkbox"/> XSP2119FC2	<input type="checkbox"/> XSP2219FC2
	20"		<input type="checkbox"/> XSP1520FC2	<input type="checkbox"/> XSP1620FC2	<input type="checkbox"/> XSP1720FC2	<input type="checkbox"/> XSP1820FC2	<input type="checkbox"/> XSP1920FC2	<input type="checkbox"/> XSP2020FC2	<input type="checkbox"/> XSP2120FC2	<input type="checkbox"/> XSP2220FC2
	21"			<input type="checkbox"/> XSP1621FC2		<input type="checkbox"/> XSP1821FC2	<input type="checkbox"/> XSP1921FC2	<input type="checkbox"/> XSP2021FC2	<input type="checkbox"/> XSP2121FC2	<input type="checkbox"/> XSP2221FC2
	22"			<input type="checkbox"/> XSP1622FC2		<input type="checkbox"/> XSP1822FC2	<input type="checkbox"/> XSP1922FC2	<input type="checkbox"/> XSP2022FC2	<input type="checkbox"/> XSP2122FC2	<input type="checkbox"/> XSP2222FC2

## Axiom AS - Adjustable Skin Protection Cushion

Weight capacity: 350 lbs

		Width								
		14"	15"	16"	17"	18"	19"	20"	21"	22"
Retail		\$641	\$641	\$641	\$641	\$641	\$641	\$641	\$743	\$743
HCPC		E2622	E2622	E2622	E2622	E2622	E2622	E2622	E2622	E2602
Height	14"	<input type="checkbox"/> XAS1414	<input type="checkbox"/> XAS1514	<input type="checkbox"/> XAS1614						
	15"	<input type="checkbox"/> XAS1415	<input type="checkbox"/> XAS1515	<input type="checkbox"/> XAS1615	<input type="checkbox"/> XAS1715					
	16"	<input type="checkbox"/> XAS1416	<input type="checkbox"/> XAS1516	<input type="checkbox"/> XAS1616	<input type="checkbox"/> XAS1716	<input type="checkbox"/> XAS1816	<input type="checkbox"/> XAS1916	<input type="checkbox"/> XAS2016		<input type="checkbox"/> XAS2216
	17"	<input type="checkbox"/> XAS1417	<input type="checkbox"/> XAS1517	<input type="checkbox"/> XAS1617	<input type="checkbox"/> XAS1717	<input type="checkbox"/> XAS1817	<input type="checkbox"/> XAS1917	<input type="checkbox"/> XAS2017		<input type="checkbox"/> XAS2217
	18"	<input type="checkbox"/> XAS1418	<input type="checkbox"/> XAS1518	<input type="checkbox"/> XAS1618	<input type="checkbox"/> XAS1718	<input type="checkbox"/> XAS1818	<input type="checkbox"/> XAS1918	<input type="checkbox"/> XAS2018	<input type="checkbox"/> XAS2118	<input type="checkbox"/> XAS2218
	19"	<input type="checkbox"/> XAS1419	<input type="checkbox"/> XAS1519	<input type="checkbox"/> XAS1619	<input type="checkbox"/> XAS1719	<input type="checkbox"/> XAS1819	<input type="checkbox"/> XAS1919	<input type="checkbox"/> XAS2019	<input type="checkbox"/> XAS2119	<input type="checkbox"/> XAS2219
	20"	<input type="checkbox"/> XAS1420	<input type="checkbox"/> XAS1520	<input type="checkbox"/> XAS1620	<input type="checkbox"/> XAS1720	<input type="checkbox"/> XAS1820	<input type="checkbox"/> XAS1920	<input type="checkbox"/> XAS2020	<input type="checkbox"/> XAS2120	<input type="checkbox"/> XAS2220
	21"		<input type="checkbox"/> XAS1521	<input type="checkbox"/> XAS1621	<input type="checkbox"/> XAS1721	<input type="checkbox"/> XAS1821	<input type="checkbox"/> XAS1921	<input type="checkbox"/> XAS2021	<input type="checkbox"/> XAS2121	<input type="checkbox"/> XAS2221
	22"		<input type="checkbox"/> XAS1522	<input type="checkbox"/> XAS1622	<input type="checkbox"/> XAS1722	<input type="checkbox"/> XAS1822	<input type="checkbox"/> XAS1922	<input type="checkbox"/> XAS2022	<input type="checkbox"/> XAS2122	<input type="checkbox"/> XAS2222



Phone (800) 981-1540 | Fax (715) 254-0996  
 sales@kimobility.com | www.kimobility.com



## Axiom AS - Adjustable Skin Protection Cushion with Extra Outer Cover

Weight capacity: 350 lbs

		Width								
		14"	15"	16"	17"	18"	19"	20"	21"	22"
Retail		\$762	\$762	\$762	\$762	\$762	\$762	\$762	\$864	\$864
HCPC		E2622	E2622	E2622	E2622	E2622	E2622	E2622	E2622	E2602
Height	14"	<input type="checkbox"/> XAS1414C2	<input type="checkbox"/> XAS1514C2	<input type="checkbox"/> XAS1614C2						
	15"	<input type="checkbox"/> XAS1415C2	<input type="checkbox"/> XAS1515C2	<input type="checkbox"/> XAS1615C2	<input type="checkbox"/> XAS1715C2					
	16"	<input type="checkbox"/> XAS1416C2	<input type="checkbox"/> XAS1516C2	<input type="checkbox"/> XAS1616C2	<input type="checkbox"/> XAS1716C2	<input type="checkbox"/> XAS1816C2	<input type="checkbox"/> XAS1916C2	<input type="checkbox"/> XAS2016C2		<input type="checkbox"/> XAS2216C2
	17"	<input type="checkbox"/> XAS1417C2	<input type="checkbox"/> XAS1517C2	<input type="checkbox"/> XAS1617C2	<input type="checkbox"/> XAS1717C2	<input type="checkbox"/> XAS1817C2	<input type="checkbox"/> XAS1917C2	<input type="checkbox"/> XAS2017C2		<input type="checkbox"/> XAS2217C2
	18"	<input type="checkbox"/> XAS1418C2	<input type="checkbox"/> XAS1518C2	<input type="checkbox"/> XAS1618C2	<input type="checkbox"/> XAS1718C2	<input type="checkbox"/> XAS1818C2	<input type="checkbox"/> XAS1918C2	<input type="checkbox"/> XAS2018C2	<input type="checkbox"/> XAS2118C2	<input type="checkbox"/> XAS2218C2
	19"	<input type="checkbox"/> XAS1419C2	<input type="checkbox"/> XAS1519C2	<input type="checkbox"/> XAS1619C2	<input type="checkbox"/> XAS1719C2	<input type="checkbox"/> XAS1819C2	<input type="checkbox"/> XAS1919C2	<input type="checkbox"/> XAS2019C2	<input type="checkbox"/> XAS2119C2	<input type="checkbox"/> XAS2219C2
	20"	<input type="checkbox"/> XAS1420C2	<input type="checkbox"/> XAS1520C2	<input type="checkbox"/> XAS1620C2	<input type="checkbox"/> XAS1720C2	<input type="checkbox"/> XAS1820C2	<input type="checkbox"/> XAS1920C2	<input type="checkbox"/> XAS2020C2	<input type="checkbox"/> XAS2120C2	<input type="checkbox"/> XAS2220C2
	21"		<input type="checkbox"/> XAS1521C2	<input type="checkbox"/> XAS1621C2	<input type="checkbox"/> XAS1721C2	<input type="checkbox"/> XAS1821C2	<input type="checkbox"/> XAS1921C2	<input type="checkbox"/> XAS2021C2	<input type="checkbox"/> XAS2121C2	<input type="checkbox"/> XAS2221C2
	22"		<input type="checkbox"/> XAS1522C2	<input type="checkbox"/> XAS1622C2	<input type="checkbox"/> XAS1722C2	<input type="checkbox"/> XAS1822C2	<input type="checkbox"/> XAS1922C2	<input type="checkbox"/> XAS2022C2	<input type="checkbox"/> XAS2122C2	<input type="checkbox"/> XAS2222C2

## Axiom ASP - Adjustable Skin Protection & Positioning Cushion

Weight capacity: 350 lbs

		Width								
		14"	15"	16"	17"	18"	19"	20"	21"	22"
Retail		\$661	\$661	\$661	\$661	\$661	\$661	\$661	\$764	\$764
HCPC		E2624	E2624	E2624	E2624	E2624	E2624	E2624	E2624	E2602
Height	14"	<input type="checkbox"/> XASP1414	<input type="checkbox"/> XASP1514	<input type="checkbox"/> XASP1614						
	15"	<input type="checkbox"/> XASP1415	<input type="checkbox"/> XASP1515	<input type="checkbox"/> XASP1615	<input type="checkbox"/> XASP1715	<input type="checkbox"/> XASP1815				
	16"	<input type="checkbox"/> XASP1416	<input type="checkbox"/> XASP1516	<input type="checkbox"/> XASP1616	<input type="checkbox"/> XASP1716	<input type="checkbox"/> XASP1816	<input type="checkbox"/> XASP1916	<input type="checkbox"/> XASP2016		<input type="checkbox"/> XASP2216
	17"	<input type="checkbox"/> XASP1417	<input type="checkbox"/> XASP1517	<input type="checkbox"/> XASP1617	<input type="checkbox"/> XASP1717	<input type="checkbox"/> XASP1817	<input type="checkbox"/> XASP1917	<input type="checkbox"/> XASP2017		<input type="checkbox"/> XASP2217
	18"	<input type="checkbox"/> XASP1418	<input type="checkbox"/> XASP1518	<input type="checkbox"/> XASP1618	<input type="checkbox"/> XASP1718	<input type="checkbox"/> XASP1818	<input type="checkbox"/> XASP1918	<input type="checkbox"/> XASP2018	<input type="checkbox"/> XASP2118	<input type="checkbox"/> XASP2218
	19"	<input type="checkbox"/> XASP1419	<input type="checkbox"/> XASP1519	<input type="checkbox"/> XASP1619	<input type="checkbox"/> XASP1719	<input type="checkbox"/> XASP1819	<input type="checkbox"/> XASP1919	<input type="checkbox"/> XASP2019	<input type="checkbox"/> XASP2119	<input type="checkbox"/> XASP2219
	20"	<input type="checkbox"/> XASP1420	<input type="checkbox"/> XASP1520	<input type="checkbox"/> XASP1620	<input type="checkbox"/> XASP1720	<input type="checkbox"/> XASP1820	<input type="checkbox"/> XASP1920	<input type="checkbox"/> XASP2020	<input type="checkbox"/> XASP2120	<input type="checkbox"/> XASP2220
	21"		<input type="checkbox"/> XASP1521	<input type="checkbox"/> XASP1621	<input type="checkbox"/> XASP1721	<input type="checkbox"/> XASP1821	<input type="checkbox"/> XASP1921	<input type="checkbox"/> XASP2021	<input type="checkbox"/> XASP2121	<input type="checkbox"/> XASP2221
	22"		<input type="checkbox"/> XASP1522	<input type="checkbox"/> XASP1622	<input type="checkbox"/> XASP1722	<input type="checkbox"/> XASP1822	<input type="checkbox"/> XASP1922	<input type="checkbox"/> XASP2022	<input type="checkbox"/> XASP2122	<input type="checkbox"/> XASP2222

## Axiom ASP - Adjustable Skin Protection & Positioning Cushion with Extra Outer Cover

Weight capacity: 350 lbs

		Width								
		14"	15"	16"	17"	18"	19"	20"	21"	22"
Retail		\$782	\$782	\$782	\$782	\$782	\$782	\$782	\$885	\$885
HCPC		E2624	E2624	E2624	E2624	E2624	E2624	E2624	E2624	E2602
Height	14"	<input type="checkbox"/> XASP1414C2	<input type="checkbox"/> XASP1514C2	<input type="checkbox"/> XASP1614C2						
	15"	<input type="checkbox"/> XASP1415C2	<input type="checkbox"/> XASP1515C2	<input type="checkbox"/> XASP1615C2	<input type="checkbox"/> XASP1715C2	<input type="checkbox"/> XASP1815C2				
	16"	<input type="checkbox"/> XASP1416C2	<input type="checkbox"/> XASP1516C2	<input type="checkbox"/> XASP1616C2	<input type="checkbox"/> XASP1716C2	<input type="checkbox"/> XASP1816C2	<input type="checkbox"/> XASP1916C2	<input type="checkbox"/> XASP2016C2		<input type="checkbox"/> XASP2216C2
	17"	<input type="checkbox"/> XASP1417C2	<input type="checkbox"/> XASP1517C2	<input type="checkbox"/> XASP1617C2	<input type="checkbox"/> XASP1717C2	<input type="checkbox"/> XASP1817C2	<input type="checkbox"/> XASP1917C2	<input type="checkbox"/> XASP2017C2		<input type="checkbox"/> XASP2217C2
	18"	<input type="checkbox"/> XASP1418C2	<input type="checkbox"/> XASP1518C2	<input type="checkbox"/> XASP1618C2	<input type="checkbox"/> XASP1718C2	<input type="checkbox"/> XASP1818C2	<input type="checkbox"/> XASP1918C2	<input type="checkbox"/> XASP2018C2	<input type="checkbox"/> XASP2118C2	<input type="checkbox"/> XASP2218C2
	19"	<input type="checkbox"/> XASP1419C2	<input type="checkbox"/> XASP1519C2	<input type="checkbox"/> XASP1619C2	<input type="checkbox"/> XASP1719C2	<input type="checkbox"/> XASP1819C2	<input type="checkbox"/> XASP1919C2	<input type="checkbox"/> XASP2019C2	<input type="checkbox"/> XASP2119C2	<input type="checkbox"/> XASP2219C2
	20"	<input type="checkbox"/> XASP1420C2	<input type="checkbox"/> XASP1520C2	<input type="checkbox"/> XASP1620C2	<input type="checkbox"/> XASP1720C2	<input type="checkbox"/> XASP1820C2	<input type="checkbox"/> XASP1920C2	<input type="checkbox"/> XASP2020C2	<input type="checkbox"/> XASP2120C2	<input type="checkbox"/> XASP2220C2
	21"		<input type="checkbox"/> XASP1521C2	<input type="checkbox"/> XASP1621C2	<input type="checkbox"/> XASP1721C2	<input type="checkbox"/> XASP1821C2	<input type="checkbox"/> XASP1921C2	<input type="checkbox"/> XASP2021C2	<input type="checkbox"/> XASP2121C2	<input type="checkbox"/> XASP2221C2
	22"		<input type="checkbox"/> XASP1522C2	<input type="checkbox"/> XASP1622C2	<input type="checkbox"/> XASP1722C2	<input type="checkbox"/> XASP1822C2	<input type="checkbox"/> XASP1922C2	<input type="checkbox"/> XASP2022C2	<input type="checkbox"/> XASP2122C2	<input type="checkbox"/> XASP2222C2



Phone (800) 981-1540 | Fax (715) 254-0996  
 sales@kimobility.com | www.kimobility.com



### AS & ASP Modifications

*Extended lead times will apply. Makes cushion non-refundable*

#### Rail Cut

XASNR

Bilateral Angled Seat Rail Relief Cut N/C

#### Notch for Back Posts

XASNB

2" x 2" Bilateral Rear Notch for Back Post Clearance N/C

## Axiom Air LTE - General Use Air Cushion

*Weight capacity: 315 lbs*

		Width			
		16"		18"	
		Cushion w/ Standard Cover	Cushion w/ Extra Standard Cover	Cushion w/ Standard Cover	Cushion w/ Extra Standard Cover
	Retail	\$160	\$244	\$160	\$244
	HCPC	E2601	E2601	E2601	E2601
Depth	16"	<input type="checkbox"/> XLTE1616	<input type="checkbox"/> XLTE1616C2	<input type="checkbox"/> XLTE1816	<input type="checkbox"/> XLTE1816C2
	18"	<input type="checkbox"/> XLTE1618	<input type="checkbox"/> XLTE1618C2	<input type="checkbox"/> XLTE1818	<input type="checkbox"/> XLTE1818C2

## Seating Accessories

Axiom Solid Seat Insert \$70



Phone (800) 981-1540 | Fax (715) 254-0996  
 sales@kimobility.com | www.kimobility.com



## Star StarLock Cushions

### Star StarLock Cushion (3" Tall Cells) and Extra Standard / Incontinent Cover

		Width														
		13.5"			15.5"			17.25"			19.25"			21"		
		Cushion	Cover		Cushion	Cover		Cushion	Cover		Cushion	Cover		Cushion	Cover	
	Standard	Incontinent	Standard	Incontinent	Standard	Incontinent	Standard	Incontinent	Standard	Incontinent	Standard	Incontinent	Standard	Incontinent		
Retail	\$589	\$71	\$82	\$589	\$71	\$82	\$589	\$71	\$82	\$589	\$71	\$82	\$589	\$71	\$82	
HCPCS	E2624			E2624			E2624			E2624			E2624			
Depth	13.5"	<input type="checkbox"/>	<input type="checkbox"/>	<input type="checkbox"/>												
	15.5"	<input type="checkbox"/>	<input type="checkbox"/>	<input type="checkbox"/>	<input type="checkbox"/>	<input type="checkbox"/>	<input type="checkbox"/>	<input type="checkbox"/>	<input type="checkbox"/>	<input type="checkbox"/>	<input type="checkbox"/>	<input type="checkbox"/>				
	17.25"				<input type="checkbox"/>	<input type="checkbox"/>	<input type="checkbox"/>	<input type="checkbox"/>	<input type="checkbox"/>	<input type="checkbox"/>	<input type="checkbox"/>	<input type="checkbox"/>	<input type="checkbox"/>	<input type="checkbox"/>	<input type="checkbox"/>	
	19.25"				<input type="checkbox"/>	<input type="checkbox"/>	<input type="checkbox"/>	<input type="checkbox"/>	<input type="checkbox"/>	<input type="checkbox"/>	<input type="checkbox"/>	<input type="checkbox"/>	<input type="checkbox"/>	<input type="checkbox"/>	<input type="checkbox"/>	
	21"				<input type="checkbox"/>	<input type="checkbox"/>	<input type="checkbox"/>	<input type="checkbox"/>	<input type="checkbox"/>	<input type="checkbox"/>	<input type="checkbox"/>	<input type="checkbox"/>	<input type="checkbox"/>	<input type="checkbox"/>	<input type="checkbox"/>	

### Star StarLock Cushion (4" Tall Cells) and Extra Standard / Incontinent Cover

		Width														
		13.5"			15.5"			17.25"			19.25"			21"		
		Cushion	Cover		Cushion	Cover		Cushion	Cover		Cushion	Cover		Cushion	Cover	
	Standard	Incontinent	Standard	Incontinent	Standard	Incontinent	Standard	Incontinent	Standard	Incontinent	Standard	Incontinent	Standard	Incontinent		
Retail	\$589	\$71	\$82	\$589	\$71	\$82	\$589	\$71	\$82	\$589	\$71	\$82	\$589	\$71	\$82	
HCPCS	E2624			E2624			E2624			E2624			E2624			
Depth	13.5"	<input type="checkbox"/>	<input type="checkbox"/>	<input type="checkbox"/>												
	15.5"	<input type="checkbox"/>	<input type="checkbox"/>	<input type="checkbox"/>	<input type="checkbox"/>	<input type="checkbox"/>	<input type="checkbox"/>	<input type="checkbox"/>	<input type="checkbox"/>	<input type="checkbox"/>	<input type="checkbox"/>	<input type="checkbox"/>				
	17.25"	<input type="checkbox"/>	<input type="checkbox"/>	<input type="checkbox"/>	<input type="checkbox"/>	<input type="checkbox"/>	<input type="checkbox"/>	<input type="checkbox"/>	<input type="checkbox"/>	<input type="checkbox"/>	<input type="checkbox"/>	<input type="checkbox"/>	<input type="checkbox"/>	<input type="checkbox"/>	<input type="checkbox"/>	
	19.25"				<input type="checkbox"/>	<input type="checkbox"/>	<input type="checkbox"/>	<input type="checkbox"/>	<input type="checkbox"/>	<input type="checkbox"/>	<input type="checkbox"/>	<input type="checkbox"/>	<input type="checkbox"/>	<input type="checkbox"/>	<input type="checkbox"/>	
	21"				<input type="checkbox"/>	<input type="checkbox"/>	<input type="checkbox"/>	<input type="checkbox"/>	<input type="checkbox"/>	<input type="checkbox"/>	<input type="checkbox"/>	<input type="checkbox"/>	<input type="checkbox"/>	<input type="checkbox"/>	<input type="checkbox"/>	

### Star StarLock Cushion (5" Tall Cells) and Extra Standard / Incontinent Cover

		Width														
		14"			16"			18"			20"			22"		
		Cushion	Cover		Cushion	Cover		Cushion	Cover		Cushion	Cover		Cushion	Cover	
	Standard	Incontinent	Standard	Incontinent	Standard	Incontinent	Standard	Incontinent	Standard	Incontinent	Standard	Incontinent	Standard	Incontinent		
Retail	\$604	\$71	\$82	\$604	\$71	\$82	\$604	\$71	\$82	\$604	\$71	\$82	\$704	\$93	\$106	
HCPCS	E2624			E2624			E2624			E2624			E2625			
Depth	14"	<input type="checkbox"/>	<input type="checkbox"/>	<input type="checkbox"/>												
	16"	<input type="checkbox"/>	<input type="checkbox"/>	<input type="checkbox"/>	<input type="checkbox"/>	<input type="checkbox"/>	<input type="checkbox"/>	<input type="checkbox"/>	<input type="checkbox"/>	<input type="checkbox"/>	<input type="checkbox"/>	<input type="checkbox"/>				
	18"	<input type="checkbox"/>	<input type="checkbox"/>	<input type="checkbox"/>	<input type="checkbox"/>	<input type="checkbox"/>	<input type="checkbox"/>	<input type="checkbox"/>	<input type="checkbox"/>	<input type="checkbox"/>	<input type="checkbox"/>	<input type="checkbox"/>	<input type="checkbox"/>	<input type="checkbox"/>	<input type="checkbox"/>	
	20"				<input type="checkbox"/>	<input type="checkbox"/>	<input type="checkbox"/>	<input type="checkbox"/>	<input type="checkbox"/>	<input type="checkbox"/>	<input type="checkbox"/>	<input type="checkbox"/>	<input type="checkbox"/>	<input type="checkbox"/>	<input type="checkbox"/>	
	22"				<input type="checkbox"/>	<input type="checkbox"/>	<input type="checkbox"/>	<input type="checkbox"/>	<input type="checkbox"/>	<input type="checkbox"/>	<input type="checkbox"/>	<input type="checkbox"/>	<input type="checkbox"/>	<input type="checkbox"/>	<input type="checkbox"/>	

HCPCS codes provided are based on code verification by the PDAC or our interpretation of the code definitions.

Proper use of HCPCS codes does not ensure coverage or payment. For coverage information, verify the appropriate payer's coverage policy.

DCN0903.2 Pricing and specifications subject to change without notice.



Phone (800) 981-1540 | Fax (715) 254-0996  
 sales@kimobility.com | www.kimobility.com



## Star Stabil-Air Cushions

### Star Stabil-Air Cushion (3" Tall Cells) and Extra Standard / Incontinent Cover

		Width																	
		13.5"			15.5"			17.25"			19.25"			21"			22.75"		
		Cushion	Cover		Cushion	Cover		Cushion	Cover		Cushion	Cover		Cushion	Cover		Cushion	Cover	
		Standard	Incontinent	Standard	Incontinent	Standard	Incontinent	Standard	Incontinent	Standard	Incontinent	Standard	Incontinent	Standard	Incontinent	Standard	Incontinent	Standard	Incontinent
Retail		\$563	\$71	\$82	\$563	\$71	\$82	\$563	\$71	\$82	\$563	\$71	\$82	\$563	\$71	\$82	\$692	\$93	\$106
HCPCS		E2622			E2622			E2622			E2622			E2622			E2623		
Depth	13.5"	<input type="checkbox"/>	<input type="checkbox"/>	<input type="checkbox"/>															
	15.5"	<input type="checkbox"/>	<input type="checkbox"/>	<input type="checkbox"/>	<input type="checkbox"/>	<input type="checkbox"/>	<input type="checkbox"/>	<input type="checkbox"/>	<input type="checkbox"/>	<input type="checkbox"/>	<input type="checkbox"/>	<input type="checkbox"/>	<input type="checkbox"/>						
	17.25"				<input type="checkbox"/>	<input type="checkbox"/>	<input type="checkbox"/>	<input type="checkbox"/>	<input type="checkbox"/>	<input type="checkbox"/>	<input type="checkbox"/>	<input type="checkbox"/>	<input type="checkbox"/>	<input type="checkbox"/>	<input type="checkbox"/>	<input type="checkbox"/>	<input type="checkbox"/>	<input type="checkbox"/>	<input type="checkbox"/>
	19.25"				<input type="checkbox"/>	<input type="checkbox"/>	<input type="checkbox"/>	<input type="checkbox"/>	<input type="checkbox"/>	<input type="checkbox"/>	<input type="checkbox"/>	<input type="checkbox"/>	<input type="checkbox"/>	<input type="checkbox"/>	<input type="checkbox"/>	<input type="checkbox"/>	<input type="checkbox"/>	<input type="checkbox"/>	<input type="checkbox"/>
	21"							<input type="checkbox"/>	<input type="checkbox"/>	<input type="checkbox"/>	<input type="checkbox"/>	<input type="checkbox"/>	<input type="checkbox"/>	<input type="checkbox"/>	<input type="checkbox"/>	<input type="checkbox"/>	<input type="checkbox"/>	<input type="checkbox"/>	<input type="checkbox"/>

### Star Stabil-Air Cushion (4" Tall Cells) and Extra Standard / Incontinent Cover

		Width																	
		13.5"			15.5"			17.25"			19.25"			21"			22.75"		
		Cushion	Cover		Cushion	Cover		Cushion	Cover		Cushion	Cover		Cushion	Cover		Cushion	Cover	
		Standard	Incontinent	Standard	Incontinent	Standard	Incontinent	Standard	Incontinent	Standard	Incontinent	Standard	Incontinent	Standard	Incontinent	Standard	Incontinent	Standard	Incontinent
Retail		\$563	\$71	\$82	\$563	\$71	\$82	\$563	\$71	\$82	\$563	\$71	\$82	\$563	\$71	\$82	\$692	\$93	\$106
HCPCS		E2622			E2622			E2622			E2622			E2622			E2623		
Depth	13.5"	<input type="checkbox"/>	<input type="checkbox"/>	<input type="checkbox"/>															
	15.5"	<input type="checkbox"/>	<input type="checkbox"/>	<input type="checkbox"/>	<input type="checkbox"/>	<input type="checkbox"/>	<input type="checkbox"/>	<input type="checkbox"/>	<input type="checkbox"/>	<input type="checkbox"/>	<input type="checkbox"/>	<input type="checkbox"/>	<input type="checkbox"/>						
	17.25"				<input type="checkbox"/>	<input type="checkbox"/>	<input type="checkbox"/>	<input type="checkbox"/>	<input type="checkbox"/>	<input type="checkbox"/>	<input type="checkbox"/>	<input type="checkbox"/>	<input type="checkbox"/>	<input type="checkbox"/>	<input type="checkbox"/>	<input type="checkbox"/>	<input type="checkbox"/>	<input type="checkbox"/>	<input type="checkbox"/>
	19.25"				<input type="checkbox"/>	<input type="checkbox"/>	<input type="checkbox"/>	<input type="checkbox"/>	<input type="checkbox"/>	<input type="checkbox"/>	<input type="checkbox"/>	<input type="checkbox"/>	<input type="checkbox"/>	<input type="checkbox"/>	<input type="checkbox"/>	<input type="checkbox"/>	<input type="checkbox"/>	<input type="checkbox"/>	<input type="checkbox"/>
	21"							<input type="checkbox"/>	<input type="checkbox"/>	<input type="checkbox"/>	<input type="checkbox"/>	<input type="checkbox"/>	<input type="checkbox"/>	<input type="checkbox"/>	<input type="checkbox"/>	<input type="checkbox"/>	<input type="checkbox"/>	<input type="checkbox"/>	<input type="checkbox"/>

## Star Standard Air Cushions

### Star Standard Air Cushion (2" Tall Cells) and Extra Standard / Incontinent Cover

		Width																	
		13.5"			15.5"			17.25"			19.25"			21"			22.75"		
		Cushion	Cover		Cushion	Cover		Cushion	Cover		Cushion	Cover		Cushion	Cover		Cushion	Cover	
		Standard	Incontinent	Standard	Incontinent	Standard	Incontinent	Standard	Incontinent	Standard	Incontinent	Standard	Incontinent	Standard	Incontinent	Standard	Incontinent	Standard	Incontinent
Retail		\$487	\$71	\$82	\$487	\$71	\$82	\$487	\$71	\$82	\$487	\$71	\$82	\$487	\$71	\$82	\$595	\$93	\$106
HCPCS		E2622			E2622			E2622			E2622			E2622			E2623		
Depth	13.5"	<input type="checkbox"/>	<input type="checkbox"/>	<input type="checkbox"/>															
	15.5"	<input type="checkbox"/>	<input type="checkbox"/>	<input type="checkbox"/>	<input type="checkbox"/>	<input type="checkbox"/>	<input type="checkbox"/>	<input type="checkbox"/>	<input type="checkbox"/>	<input type="checkbox"/>	<input type="checkbox"/>	<input type="checkbox"/>	<input type="checkbox"/>	<input type="checkbox"/>	<input type="checkbox"/>				
	17.25"				<input type="checkbox"/>	<input type="checkbox"/>	<input type="checkbox"/>	<input type="checkbox"/>	<input type="checkbox"/>	<input type="checkbox"/>	<input type="checkbox"/>	<input type="checkbox"/>	<input type="checkbox"/>	<input type="checkbox"/>	<input type="checkbox"/>	<input type="checkbox"/>	<input type="checkbox"/>	<input type="checkbox"/>	<input type="checkbox"/>
	19.25"				<input type="checkbox"/>	<input type="checkbox"/>	<input type="checkbox"/>	<input type="checkbox"/>	<input type="checkbox"/>	<input type="checkbox"/>	<input type="checkbox"/>	<input type="checkbox"/>	<input type="checkbox"/>	<input type="checkbox"/>	<input type="checkbox"/>	<input type="checkbox"/>	<input type="checkbox"/>	<input type="checkbox"/>	<input type="checkbox"/>
	21"							<input type="checkbox"/>	<input type="checkbox"/>	<input type="checkbox"/>	<input type="checkbox"/>	<input type="checkbox"/>	<input type="checkbox"/>	<input type="checkbox"/>	<input type="checkbox"/>	<input type="checkbox"/>	<input type="checkbox"/>	<input type="checkbox"/>	<input type="checkbox"/>





Phone (800) 981-1540 | Fax (715) 254-0996  
 sales@kimobility.com | www.kimobility.com



**Star Standard Air Cushion (3" Tall Cells) and Extra Standard / Incontinent Cover**

		Width														
		13.5"			15.5"			17.25"			19.25"			21"		
		Cushion	Cover		Cushion	Cover		Cushion	Cover		Cushion	Cover		Cushion	Cover	
	Standard	Incontinent	Standard	Incontinent	Standard	Incontinent	Standard	Incontinent	Standard	Incontinent	Standard	Incontinent	Standard	Incontinent		
Retail	\$487	\$71	\$82	\$487	\$71	\$82	\$487	\$71	\$82	\$487	\$71	\$82	\$487	\$71	\$82	
HCPCS	E2622			E2622			E2622			E2622			E2622			
Depth	13.5"															
	15.5"	<input type="checkbox"/>	<input type="checkbox"/>	<input type="checkbox"/>	<input type="checkbox"/>	<input type="checkbox"/>	<input type="checkbox"/>	<input type="checkbox"/>	<input type="checkbox"/>	<input type="checkbox"/>	<input type="checkbox"/>	<input type="checkbox"/>	<input type="checkbox"/>	<input type="checkbox"/>	<input type="checkbox"/>	
	17.25"				<input type="checkbox"/>	<input type="checkbox"/>	<input type="checkbox"/>	<input type="checkbox"/>	<input type="checkbox"/>	<input type="checkbox"/>	<input type="checkbox"/>	<input type="checkbox"/>	<input type="checkbox"/>	<input type="checkbox"/>	<input type="checkbox"/>	
	19.25"				<input type="checkbox"/>	<input type="checkbox"/>	<input type="checkbox"/>	<input type="checkbox"/>	<input type="checkbox"/>	<input type="checkbox"/>	<input type="checkbox"/>	<input type="checkbox"/>	<input type="checkbox"/>	<input type="checkbox"/>	<input type="checkbox"/>	
	21"						<input type="checkbox"/>	<input type="checkbox"/>	<input type="checkbox"/>	<input type="checkbox"/>	<input type="checkbox"/>	<input type="checkbox"/>	<input type="checkbox"/>	<input type="checkbox"/>	<input type="checkbox"/>	

**Star Standard Air Cushion (4" Tall Cells) and Extra Standard / Incontinent Cover**

		Width																	
		13.5"			15.5"			17.25"			19.25"			21"			22.75"		
		Cushion	Cover		Cushion	Cover		Cushion	Cover		Cushion	Cover		Cushion	Cover		Cushion	Cover	
	Standard	Incontinent	Standard	Incontinent	Standard	Incontinent	Standard	Incontinent	Standard	Incontinent	Standard	Incontinent	Standard	Incontinent	Standard	Incontinent			
Retail	\$487	\$71	\$82	\$487	\$71	\$82	\$487	\$71	\$82	\$487	\$71	\$82	\$487	\$71	\$82	\$595	\$93	\$106	
HCPCS	E2622			E2622			E2622			E2622			E2622			E2623			
Depth	13.5"	<input type="checkbox"/>	<input type="checkbox"/>	<input type="checkbox"/>	<input type="checkbox"/>	<input type="checkbox"/>	<input type="checkbox"/>	<input type="checkbox"/>	<input type="checkbox"/>										
	15.5"	<input type="checkbox"/>	<input type="checkbox"/>	<input type="checkbox"/>	<input type="checkbox"/>	<input type="checkbox"/>	<input type="checkbox"/>	<input type="checkbox"/>	<input type="checkbox"/>	<input type="checkbox"/>	<input type="checkbox"/>	<input type="checkbox"/>	<input type="checkbox"/>	<input type="checkbox"/>					
	17.25"				<input type="checkbox"/>	<input type="checkbox"/>	<input type="checkbox"/>	<input type="checkbox"/>	<input type="checkbox"/>	<input type="checkbox"/>	<input type="checkbox"/>	<input type="checkbox"/>	<input type="checkbox"/>	<input type="checkbox"/>	<input type="checkbox"/>	<input type="checkbox"/>	<input type="checkbox"/>	<input type="checkbox"/>	
	19.25"				<input type="checkbox"/>	<input type="checkbox"/>	<input type="checkbox"/>	<input type="checkbox"/>	<input type="checkbox"/>	<input type="checkbox"/>	<input type="checkbox"/>	<input type="checkbox"/>	<input type="checkbox"/>	<input type="checkbox"/>	<input type="checkbox"/>	<input type="checkbox"/>	<input type="checkbox"/>	<input type="checkbox"/>	
	21"						<input type="checkbox"/>	<input type="checkbox"/>	<input type="checkbox"/>	<input type="checkbox"/>	<input type="checkbox"/>	<input type="checkbox"/>	<input type="checkbox"/>	<input type="checkbox"/>	<input type="checkbox"/>	<input type="checkbox"/>	<input type="checkbox"/>	<input type="checkbox"/>	

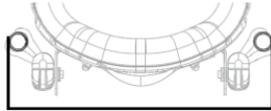
**Star Standard Air Cushions Dual Valve**

**Star Standard Air Cushion Dual Valve (4" Tall Cells) and Extra Standard / Incontinent Cover**

		Width														
		13.5"			15.5"			17.25"			19.25"			21"		
		Cushion	Cover		Cushion	Cover		Cushion	Cover		Cushion	Cover		Cushion	Cover	
	Standard	Incontinent	Standard	Incontinent	Standard	Incontinent	Standard	Incontinent	Standard	Incontinent	Standard	Incontinent	Standard	Incontinent		
Retail	\$487	\$71	\$82	\$487	\$71	\$82	\$487	\$71	\$82	\$487	\$71	\$82	\$487	\$71	\$82	
HCPCS	E2622			E2622			E2622			E2622			E2622			
Depth	13.5"	<input type="checkbox"/>	<input type="checkbox"/>	<input type="checkbox"/>												
	15.5"	<input type="checkbox"/>	<input type="checkbox"/>	<input type="checkbox"/>	<input type="checkbox"/>	<input type="checkbox"/>	<input type="checkbox"/>	<input type="checkbox"/>	<input type="checkbox"/>	<input type="checkbox"/>	<input type="checkbox"/>	<input type="checkbox"/>				
	17.25"				<input type="checkbox"/>	<input type="checkbox"/>	<input type="checkbox"/>	<input type="checkbox"/>	<input type="checkbox"/>	<input type="checkbox"/>	<input type="checkbox"/>	<input type="checkbox"/>	<input type="checkbox"/>	<input type="checkbox"/>	<input type="checkbox"/>	
	19.25"						<input type="checkbox"/>	<input type="checkbox"/>	<input type="checkbox"/>	<input type="checkbox"/>	<input type="checkbox"/>	<input type="checkbox"/>				
	21"									<input type="checkbox"/>	<input type="checkbox"/>	<input type="checkbox"/>	<input type="checkbox"/>	<input type="checkbox"/>	<input type="checkbox"/>	

Axiom Back Width	Fits Back Frame Widths	
	Inner Slots	Outer Slots
12" (30.5cm)	11" (28.0cm)	12" -14" (30.5cm -35.5cm)
14" (35.5cm)	12" -13" (30.5cm -33.0cm)	14" -16" (35.5cm -40.5cm)
16" (40.5cm)	14" -15" (35.5cm -38.0cm)	16" -18" (40.5cm -45.5cm)
18" (45.5cm)	16" - 17" (40.5cm - 43.0cm)	18" - 20" (45.5cm - 50.5cm)
20" (51.0cm)	18" -19" (46.0cm -48.5cm)	20" -22" (50.5cm -55.5cm)
22" (56.0cm)	20" -21" (51.0cm -53.5cm)	22" -24" (56.0cm -61.0cm)

Hardware Description	Code
Improved DEX Hardware, removable adjustable hardware (300 lb max user weight)	<b>DEX</b>
New BTX Hardware, removable adjustable hardware not recommended for, or installed on Ultralight Rigid Frame Wheelchairs (400 lb max user weight)	<b>BTX</b>
New Fixed Hardware, non-removeable hardware up to (300 lb max user weight)	<b>FXT</b>



## Axiom Back

Hardware is included with back. Low Back selections are not available with headrests, modifications, or posture supports. Weight capacity: 300 lbs.

### Axiom Posterior Back (PB)

Includes Lumbar Pad

		Width						
		12"	14"	16"	18"	20"	22"	
Retail		\$625	\$625	\$625	\$625	\$625	\$941	
HCPC		E2613	E2613	E2613	E2613	E2613	E2614	
Height	Low	8"	<input type="checkbox"/> AXPB1208	<input type="checkbox"/> AXPB1408	<input type="checkbox"/> AXPB1608	<input type="checkbox"/> AXPB1808	<input type="checkbox"/> AXPB2008	
		10"		<input type="checkbox"/> AXPB1410	<input type="checkbox"/> AXPB1610	<input type="checkbox"/> AXPB1810	<input type="checkbox"/> AXPB2010	<input type="checkbox"/> AXPB2210
		12"	<input type="checkbox"/> AXPB1212	<input type="checkbox"/> AXPB1412	<input type="checkbox"/> AXPB1612	<input type="checkbox"/> AXPB1812	<input type="checkbox"/> AXPB2012	
	Mid	14"		<input type="checkbox"/> AXPB1414	<input type="checkbox"/> AXPB1614	<input type="checkbox"/> AXPB1814	<input type="checkbox"/> AXPB2014	<input type="checkbox"/> AXPB2214
		16"	<input type="checkbox"/> AXPB1216	<input type="checkbox"/> AXPB1416	<input type="checkbox"/> AXPB1616	<input type="checkbox"/> AXPB1816	<input type="checkbox"/> AXPB2016	
		18"		<input type="checkbox"/> AXPB1418	<input type="checkbox"/> AXPB1618	<input type="checkbox"/> AXPB1818	<input type="checkbox"/> AXPB2018	<input type="checkbox"/> AXPB2218

### Back Hardware

DEX Hardware  BTX Hardware  FXT Hardware \_\_\_\_\_ N/C

HCPCS codes provided are based on code verification by the PDAC or our interpretation of the code definitions.

Proper use of HCPCS codes does not ensure coverage or payment. For coverage information, verify the appropriate payer's coverage policy.

DCN0473.10 Pricing and specifications subject to change without notice.



Phone (800) 981-1540 | Fax (715) 254-0996  
 sales@kimobility.com | www.kimobility.com



### Lateral Support for AXPB Backs

Pair	Description	Item Code	HCPC	Pair
<input type="checkbox"/>	3 x 4 Lateral Pads with Fixed Mounting Hardware - Pair (E0956)	PBLF3x4PP	E0956	\$313
<input type="checkbox"/>	4 x 5 Lateral Pads with Fixed Mounting Hardware - Pair (E0956)	PBLF4x5PP	E0956	\$313
<input type="checkbox"/>	3 x 4 Lateral Pads with Swing Away Mounting Hardware - Pair (E0956,E1028)	PBLS3X4PP	E0956, E1028	\$666
<input type="checkbox"/>	4 x 5 Lateral Pads with Swing Away Mounting Hardware - Pair (E0956,E1028)	PBLS4X5PP	E0956, E1028	\$666
<input type="checkbox"/>	3 x 4 Lateral Pads with Adjustable Swing Away Mounting Hardware - Pair (E0956,E1028)	PBLAS3X4PP	E0956, E1028	\$810
<input type="checkbox"/>	4 x 5 Lateral Pads with Adjustable Swing Away Mounting Hardware - Pair (E0956,E1028)	PBLAS3X4PP	E0956, E1028	\$810

### Axiom Posterior Lateral Back (PL)

*Includes Lumbar Pad*

		Width						
		12"	14"	16"	18"	20"	22"	
Retail		\$722	\$722	\$722	\$722	\$722	\$1002	
HCPC		E2615	E2615	E2615	E2615	E2615	E2616	
Height	Low	8"	<input type="checkbox"/> AXPL1208	<input type="checkbox"/> AXPL1408	<input type="checkbox"/> AXPL1608	<input type="checkbox"/> AXPL1808	<input type="checkbox"/> AXPL2008	
		10"		<input type="checkbox"/> AXPL1410	<input type="checkbox"/> AXPL1610	<input type="checkbox"/> AXPL1810	<input type="checkbox"/> AXPL2010	<input type="checkbox"/> AXPL2210
		12"	<input type="checkbox"/> AXPL1212	<input type="checkbox"/> AXPL1412	<input type="checkbox"/> AXPL1612	<input type="checkbox"/> AXPL1812	<input type="checkbox"/> AXPL2012	
	Mid	14"		<input type="checkbox"/> AXPL1414	<input type="checkbox"/> AXPL1614	<input type="checkbox"/> AXPL1814	<input type="checkbox"/> AXPL2014	<input type="checkbox"/> AXPL2214
		16"	<input type="checkbox"/> AXPL1216	<input type="checkbox"/> AXPL1416	<input type="checkbox"/> AXPL1616	<input type="checkbox"/> AXPL1816	<input type="checkbox"/> AXPL2016	
		18"		<input type="checkbox"/> AXPL1418	<input type="checkbox"/> AXPL1618	<input type="checkbox"/> AXPL1818	<input type="checkbox"/> AXPL2018	<input type="checkbox"/> AXPL2218
	Tail	20"	<input type="checkbox"/> AXPL1220	<input type="checkbox"/> AXPL1420	<input type="checkbox"/> AXPL1620	<input type="checkbox"/> AXPL1820	<input type="checkbox"/> AXPL2020	
		22"		<input type="checkbox"/> AXPL1422	<input type="checkbox"/> AXPL1622	<input type="checkbox"/> AXPL1822	<input type="checkbox"/> AXPL2022	<input type="checkbox"/> AXPL2222

### Back Hardware

DEX Hardware  BTX Hardware  FXT Hardware \_\_\_\_\_ N/C

### Axiom Lateral Back (LB)

*Does not include Lumbar Pad*

		Width						
		12"	14"	16"	18"	20"	22"	
Retail		\$872	\$872	\$872	\$872	\$872	\$1014	
HCPC		E2620	E2620	E2620	E2620	E2620	E2621	
Height	Low	8"	<input type="checkbox"/> AXLB1208	<input type="checkbox"/> AXLB1408	<input type="checkbox"/> AXLB1608	<input type="checkbox"/> AXLB1808	<input type="checkbox"/> AXLB2008	
		10"		<input type="checkbox"/> AXLB1410	<input type="checkbox"/> AXLB1610	<input type="checkbox"/> AXLB1810	<input type="checkbox"/> AXLB2010	<input type="checkbox"/> AXLB2210
		12"	<input type="checkbox"/> AXLB1212	<input type="checkbox"/> AXLB1412	<input type="checkbox"/> AXLB1612	<input type="checkbox"/> AXLB1812	<input type="checkbox"/> AXLB2012	
	Mid	14"		<input type="checkbox"/> AXLB1414	<input type="checkbox"/> AXLB1614	<input type="checkbox"/> AXLB1814	<input type="checkbox"/> AXLB2014	<input type="checkbox"/> AXLB2214
		16"	<input type="checkbox"/> AXLB1216	<input type="checkbox"/> AXLB1416	<input type="checkbox"/> AXLB1616	<input type="checkbox"/> AXLB1816	<input type="checkbox"/> AXLB2016	
		18"		<input type="checkbox"/> AXLB1418	<input type="checkbox"/> AXLB1618	<input type="checkbox"/> AXLB1818	<input type="checkbox"/> AXLB2018	<input type="checkbox"/> AXLB2218
	Tail	20"	<input type="checkbox"/> AXLB1220	<input type="checkbox"/> AXLB1420	<input type="checkbox"/> AXLB1620	<input type="checkbox"/> AXLB1820	<input type="checkbox"/> AXLB2020	
		22"		<input type="checkbox"/> AXLB1422	<input type="checkbox"/> AXLB1622	<input type="checkbox"/> AXLB1822	<input type="checkbox"/> AXLB2022	<input type="checkbox"/> AXLB2222

### Back Hardware

DEX Hardware  BTX Hardware  FXT Hardware \_\_\_\_\_ N/C



Phone (800) 981-1540 | Fax (715) 254-0996  
 sales@kimobility.com | www.kimobility.com



### Lateral Support for AXPL & AXLB Backs

Pair	Description	Item Code	HCPC	Pair
<input type="checkbox"/>	3 x 4 Lateral Pads with Fixed Mounting Hardware - Pair (E0956)	PLLF3x4PP	E0956	\$313
<input type="checkbox"/>	4 x 5 Lateral Pads with Fixed Mounting Hardware - Pair (E0956)	PLLF4x5PP	E0956	\$313
<input type="checkbox"/>	3 x 4 Lateral Pads with Swing Away Mounting Hardware - Pair (E0956,E1028)	PLLS3x4PP	E0956, E1028	\$666
<input type="checkbox"/>	4 x 5 Lateral Pads with Swing Away Mounting Hardware - Pair (E0956,E1028)	PLLS4x5PP	E0956, E1028	\$666
<input type="checkbox"/>	3 x 4 Lateral Pads with Adjustable Swing Away Mounting Hardware - Pair (E0956,E1028)	PLLAS3x4PP	E0956, E1028	\$810
<input type="checkbox"/>	4 x 5 Lateral Pads with Adjustable Swing Away Mounting Hardware - Pair (E0956,E1028)	PLLAS4x5PP	E0956, E1028	\$810

### Axiom Deep Lateral Back (DL)

*Does not include Lumbar Pad*

		Width						
		12"	14"	16"	18"	20"	22"	
Retail		\$872	\$872	\$872	\$872	\$872	\$1014	
Height	Mid	14"	<input type="checkbox"/> AXDL1214	<input type="checkbox"/> AXDL1414	<input type="checkbox"/> AXDL1614	<input type="checkbox"/> AXDL1814	<input type="checkbox"/> AXDL2014	<input type="checkbox"/> AXDL2214
		16"		<input type="checkbox"/> AXDL1416	<input type="checkbox"/> AXDL1616	<input type="checkbox"/> AXDL1816	<input type="checkbox"/> AXDL2016	
		18"	<input type="checkbox"/> AXDL1218	<input type="checkbox"/> AXDL1418	<input type="checkbox"/> AXDL1618	<input type="checkbox"/> AXDL1818	<input type="checkbox"/> AXDL2018	<input type="checkbox"/> AXDL2218
	Tall	20"	<input type="checkbox"/> AXDL1220	<input type="checkbox"/> AXDL1420	<input type="checkbox"/> AXDL1620	<input type="checkbox"/> AXDL1820	<input type="checkbox"/> AXDL2020	
		22"		<input type="checkbox"/> AXDL1422	<input type="checkbox"/> AXDL1622	<input type="checkbox"/> AXDL1822	<input type="checkbox"/> AXDL2022	<input type="checkbox"/> AXDL2222

### Back Hardware

DEX Hardware  BTX Hardware  FXT Hardware \_\_\_\_\_ N/C

### Headrest

Description	Std. Straight Removable Adjustable Hardware		Multi-Axis Removable Adjustable Hardware		Posalinc Removable Adjustable Hardware		HCPCS
	Item Code	Retail	Item Code	Retail	Item Code	Retail	
Comfort Soft Headrest 8"	<input type="checkbox"/> CS08SS	\$347	<input type="checkbox"/> CS08MA	\$369	<input type="checkbox"/> CS08PL	\$519	E0955 / E1028
Comfort Soft Headrest 10"	<input type="checkbox"/> CS10SS	\$347	<input type="checkbox"/> CS10MA	\$369	<input type="checkbox"/> CS10PL	\$519	E0955 / E1028
Comfort Soft Headrest 14"	<input type="checkbox"/> CS14SS	\$347	<input type="checkbox"/> CS14MA	\$369	<input type="checkbox"/> CS14PL	\$519	E0955 / E1028
Contour Positioning Pad, 8" X 6.25"	<input type="checkbox"/> CP08SS	\$347	<input type="checkbox"/> CP08MA	\$369	<input type="checkbox"/> CP08PL	\$519	E0955 / E1028
Contour Positioning Pad, 9" X 6.5"	<input type="checkbox"/> CP09SS	\$347	<input type="checkbox"/> CP09MA	\$369	<input type="checkbox"/> CP09PL	\$519	E0955 / E1028
Contour Positioning Pad, 10" X 7.5"	<input type="checkbox"/> CP10SS	\$347	<input type="checkbox"/> CP10MA	\$369	<input type="checkbox"/> CP10PL	\$519	E0955 / E1028
Tri-soft Headrest 10"	<input type="checkbox"/> TS10SS	\$347	<input type="checkbox"/> TS10MA	\$369	<input type="checkbox"/> TS10PL	\$519	E0955 / E1028
Tri-soft Headrest 14"	<input type="checkbox"/> TS14SS	\$347	<input type="checkbox"/> TS14MA	\$369	<input type="checkbox"/> TS14PL	\$519	E0955 / E1028

Description	Item Code	Retail	HCPCS
Universal Headrest Mounting Plate	<input type="checkbox"/> UMP	\$51	K0108

*Not required for Axiom Headrests*



Phone (800) 981-1540 | Fax (715) 254-0996  
 sales@kimobility.com | www.kimobility.com



## Anterior Thoracic Supports

*Selection of a modification from the Axiom Back Modifications section required in order to mount posture supports. Not available with Low Backs.*

Anterior Thoracic Supports		
Description	Item Code	Retail
Dynaform Chest Support: 2-Piece with Hook&Loop, 3" High Pad, Small	<input type="checkbox"/> 14941	\$125
Dynaform Chest Support: 2-Piece with Hook&Loop, 4" High Pad, Medium	<input type="checkbox"/> 14942	\$125
Dynaform Chest Support: 2-Piece with Hook&Loop, 5" High Pad, Large	<input type="checkbox"/> 14943	\$125
Dynaform Chest Support: 1-Piece with Buckle, 3" Height x 20" Width, Small	<input type="checkbox"/> 14924	\$110
Dynaform Chest Support: 1-Piece with Buckle, 4" Height x 20" Width, Medium	<input type="checkbox"/> 14927	\$110
Dynaform Chest Support: 1-Piece with Buckle, 4" Height x 22" Width, Large	<input type="checkbox"/> 14928	\$110
Dynaform Anterior Trunk Support: Standard, Dynamic, X-Small	<input type="checkbox"/> 14851	\$130
Dynaform Anterior Trunk Support: Standard, Dynamic, Small	<input type="checkbox"/> 14852	\$130
Dynaform Anterior Trunk Support: Standard, Dynamic, Medium	<input type="checkbox"/> 14853	\$130
Dynaform Anterior Trunk Support: Standard, Dynamic, Large	<input type="checkbox"/> 14854	\$130
Dynaform Anterior Trunk Support: Slim Cut, Dynamic, X-Small	<input type="checkbox"/> 14856	\$130
Dynaform Anterior Trunk Support: Slim Cut, Dynamic, Small	<input type="checkbox"/> 14857	\$130
Dynaform Anterior Trunk Support: Slim Cut, Dynamic, Medium	<input type="checkbox"/> 14858	\$130
Dynaform Anterior Trunk Support: Slim Cut, Dynamic, Large	<input type="checkbox"/> 14859	\$130
AirLogic Anterior Trunk Support: Standard, Structure, Small	<input type="checkbox"/> 14282	\$130
AirLogic Anterior Trunk Support: Standard, Structure, Medium	<input type="checkbox"/> 14283	\$175
AirLogic Anterior Trunk Support: Standard, Structure, Large	<input type="checkbox"/> 14284	\$175
AirLogic Anterior Trunk Support: Standard, Structure, X-Large	<input type="checkbox"/> 14285	\$175
AirLogic Anterior Trunk Support: Slim Cut, Dynamic, Small	<input type="checkbox"/> 14257	\$175
AirLogic Anterior Trunk Support: Slim Cut, Dynamic, Medium	<input type="checkbox"/> 14258	\$175
AirLogic Anterior Trunk Support: Slim Cut, Dynamic, Large	<input type="checkbox"/> 14259	\$175
AirLogic Anterior Trunk Support: Slim Cut, Dynamic, X-Large	<input type="checkbox"/> 14260	\$175

## Accessories

- Adjustable Shoulder Guides (K0108) \$97  
*Includes Anterior Thoracic Mounting Modification. Not available with Low Backs.*
- Extra Lumbar Pad (K0108) \$51  
*Available only with Axiom Lateral Back and Axiom Deep Lateral back*
- Privacy Flap (K0108) \$51



Phone (800) 981-1540 | Fax (715) 254-0996  
sales@kimobility.com | www.kimobility.com



## Axiom Back Modifications

### Axiom Back Modifications

*Extended lead times will apply for all modifications. Makes back non-refundable.*

- Anterior Thoracic Mounting Modification N/C  
*Provides holes for Anterior Thoracic Supports and Shoulder Guides*

#### Gloss Finish

*If no selection is made, standard Shadow Black will be used with no additional lead time*

- Black Back Shell N/C
- Blue Skies Back Shell N/C
- Bubblegum Pink Back Shell N/C
- Candy Blue Back Shell N/C
- Candy Purple Back Shell N/C
- Candy Red Back Shell N/C
- Copper Back Shell N/C
- Granny Smith Back Shell N/C
- Metallic Orange Back Shell N/C
- Yellow Back Shell N/C
- Silver Back Shell N/C
- Teal Back Shell N/C

#### Matte Finish

*If no selection is made, standard Shadow Black will be used with no additional lead time*

- Military Green Back Shell N/C
- Charcoal Gray Back Shell N/C
- Emerald Green Back Shell N/C
- Iridescent Burgundy Back Shell N/C
- Iridescent Navy Back Shell N/C
- Retro Red Back Shell N/C
- Royal Blue Back Shell N/C
- Smooth White Back Shell N/C